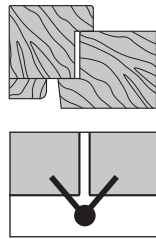


PIVOT



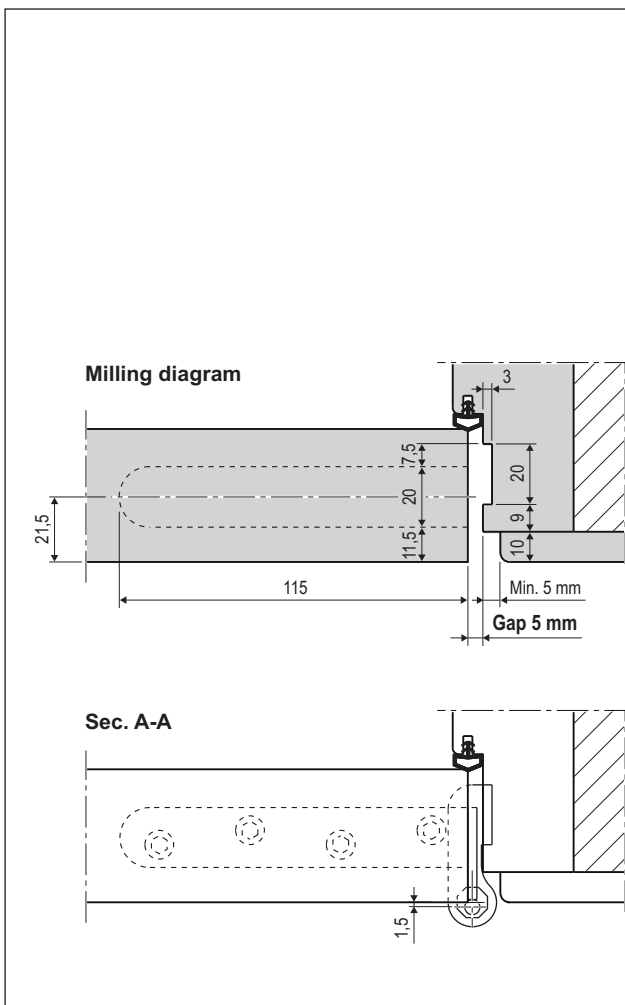
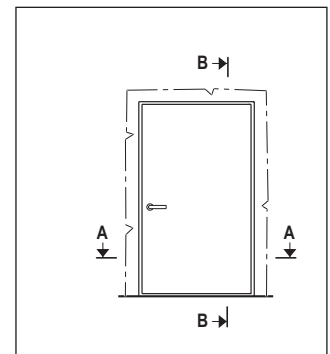
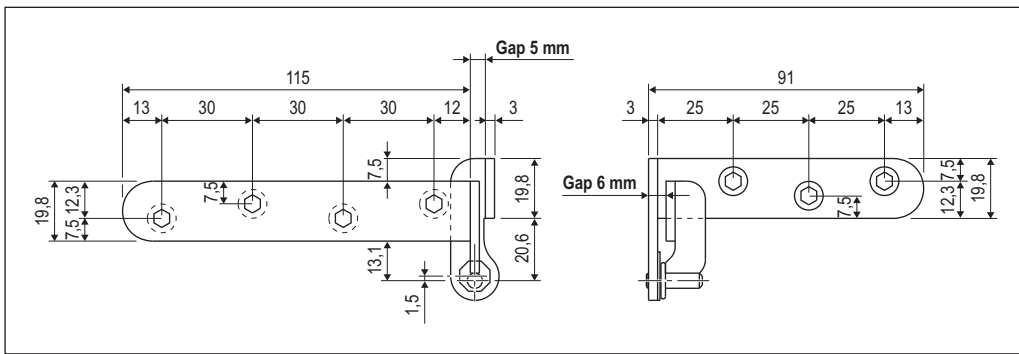
Description

Application: for doors weighing up to 25 kg.

Order specifications

Material	Article	Type
STEEL	E10005.01.XX	upper r.h./lower l.h.
	E10005.02.XX	lower r.h./upper l.h.

NB. Refer to the price list in force to check the availability of the finishes.



Milling diagram

Sec. B-B

