

Coplanar - with 100/16 bracket



Description

Two-handed coplanar symmetrical hinge with theft-proof removable pin for horizontal bracket.

Application

For multiple-leaf folding shutters and "alla padovana" type with horizontal brackets on one side of the hinge only, to be installed directly on the external surface of the shutter. To reverse the hinge it is necessary to remove and re-install the pin: to perform this operation the hinge must be folded 90° (open shutter).

Mounting

Use:

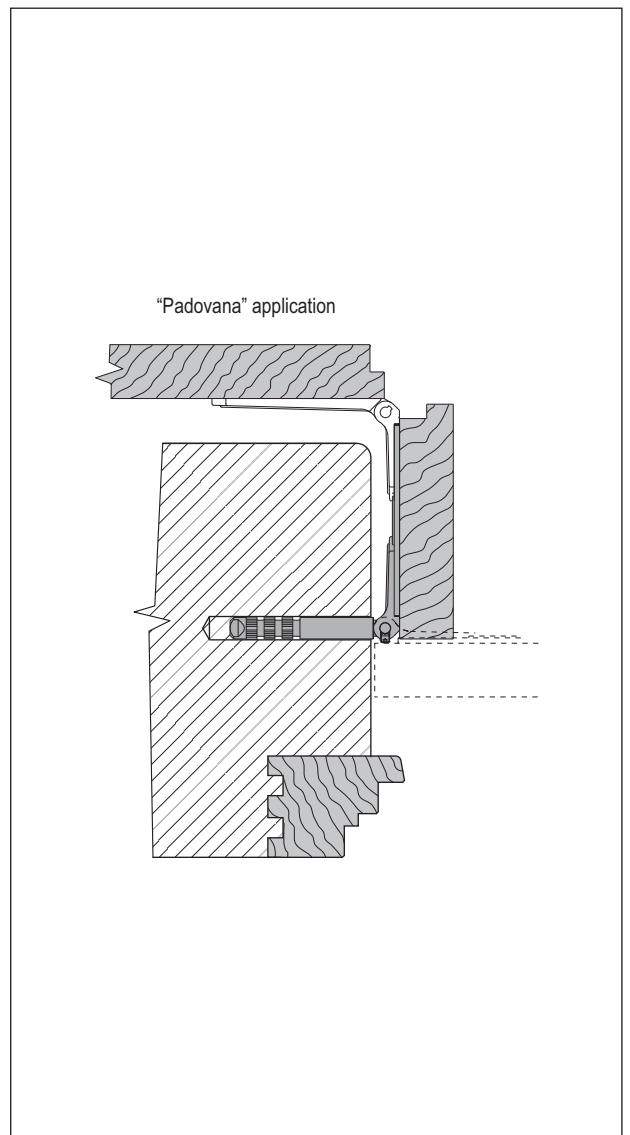
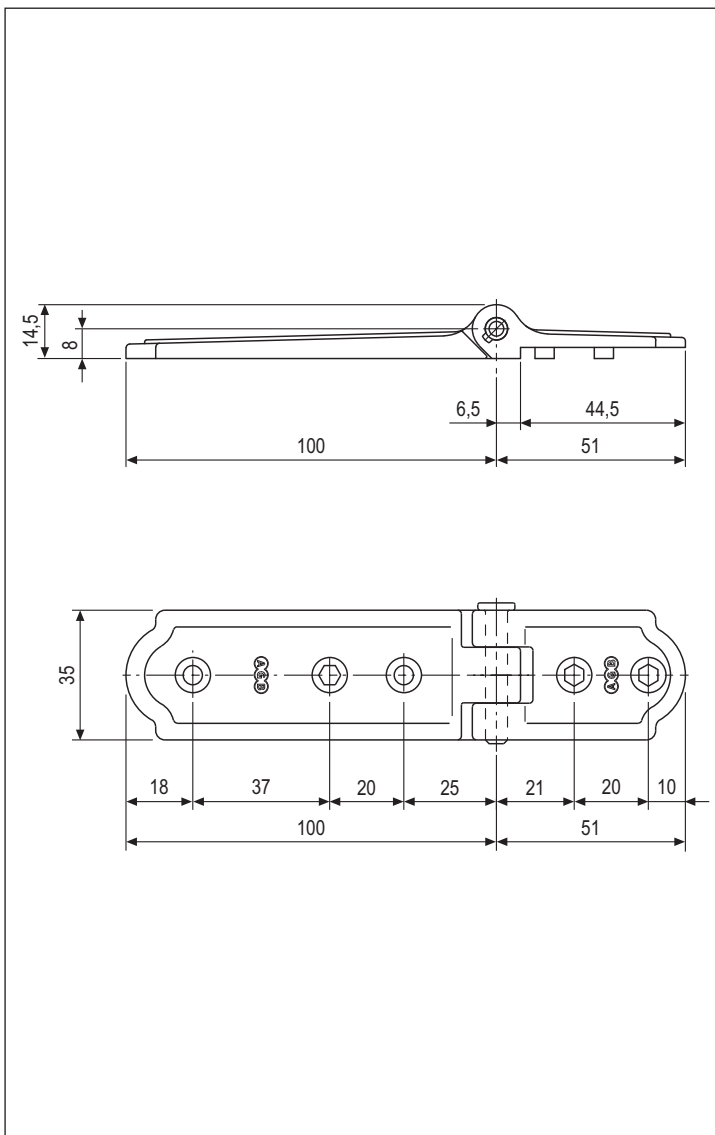
- theft-proof screws;

- four 4,5 mm screws of appropriate length (matching the thickness of the shutter) and with suitable thread;
- rivets (PVC and aluminium timber systems only)

- We recommend the use of theft-proof screws as they ensure greater system steadiness and security.

NB. The use of a wall catch for shutters is compulsory.

For loading capacity please refer to the diagram (see Application fields chapters) of the hinge applied to the sash reveal and make sure that the sum of the width of central sash and reveal does not exceed the max indicated dimension.



Order Specifications

Article

H00931.10.93