

# Scivola T round - Kit A - knob/button, 40-48 mm door thickness



**Description**

Lock kit with hook and steel flush pull with thumb turn, without key. Notched locking cam on the outside for emergency opening. All the elements have been designed to eliminate any superfluous projections.

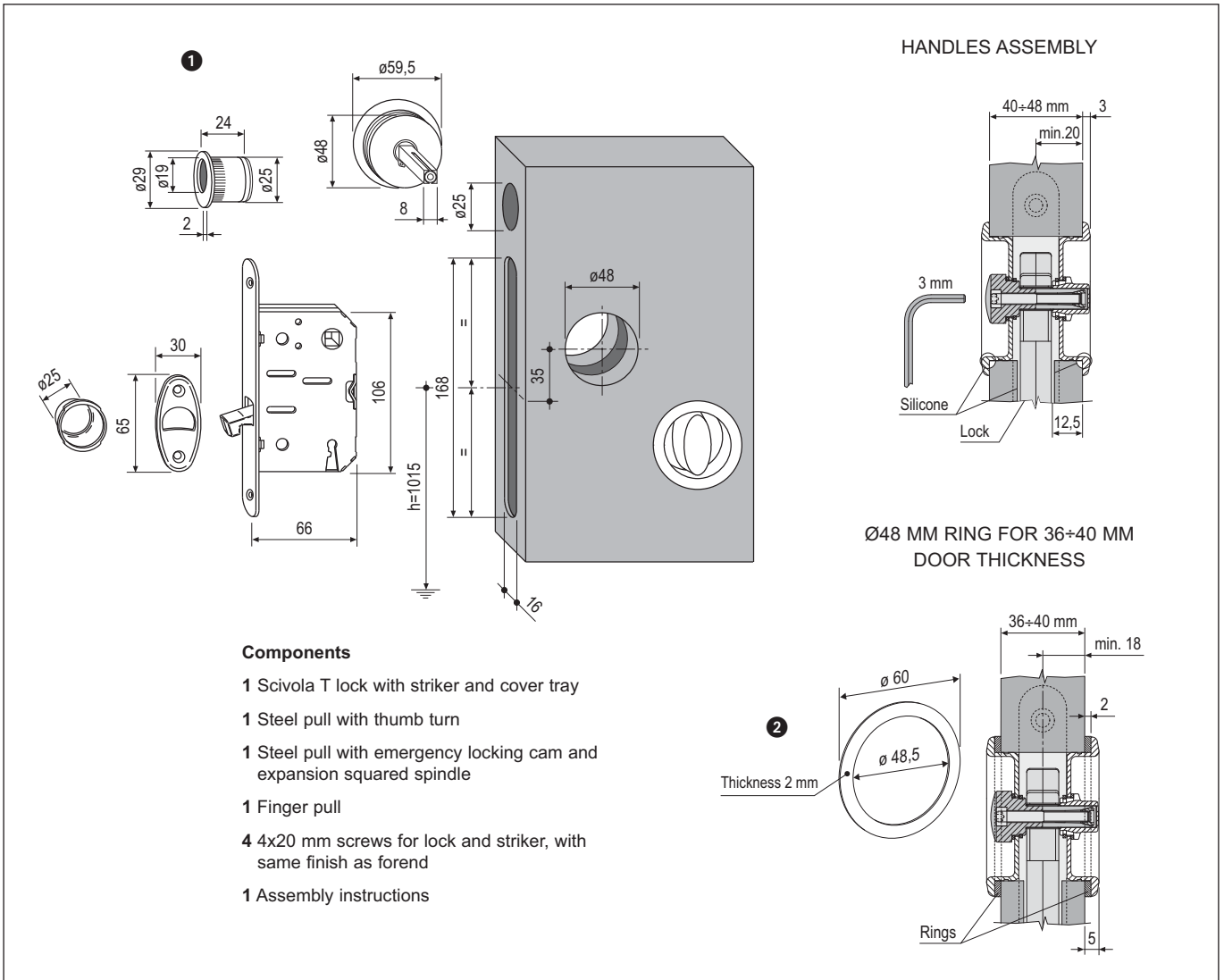
**Application**

For concealed, sliding timber doors on bathrooms or any room where the door is closed from one side only and does not require a key to lock it. Suitable for panels with a thickness of 40 to 48 mm.

**Mounting**

The pulls are directly secured by expansion squared spindle, automatically adapting to 40÷48 mm wide doors, without any additional screw or plastic striker plate. Follow the assembly instructions provided with the kit. Milling cutters art. Z00005.48.01 - 48 mm diameter, are available for milling the pull recesses.

**Note.** All the kit components come in a single package.



**Order Specifications**

Ref.	Article
1	B03934.50.XX
2	B00700.30.XX

**NB.** Refer to the price list in force to check the availability of the finishes.