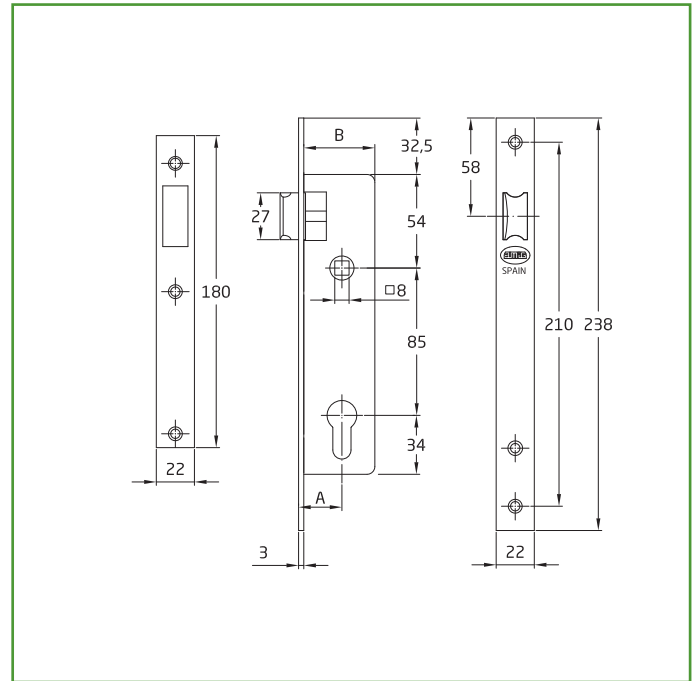


Mod. 760GR
DOOR LOCK

SECURITY



Measurements: 20 / 85 mm

Material: Steel

Finish: Satin nickel

Code: 24088

Presentation: With individual EAN

EAN unit: 8413023240889

A (mm)	B (mm)
20	36
25	41
30	45
35	51

Features

Flush-mount lock for Europrofile metal frames. Reversible latch. Without bolt, specific for building entrance doors. Housing for Europrofile cylinder with 15 mm cam. Distance between handle and cylinder: 85 mm. Steel front and support. 8 mm spindle for handle.

Assembly instructions

This type of lock is ideal for metal door. Normally used on building entrance doors equipped with standard key cylinders. It is usually combined with an electric door opener that is installed on the front door frame. This retains the bolt when the door is closed and releases the door when it receives an impulse from the video door entry unit.

Ecofriendly

At AMIG we aim to offer the best quality in our products without harming the environment. For this reason, we work to comply at all times with environmental regulations in our processes, as well as by implementing the Comprehensive Management System (SIG) for packaging waste.

Care and cleaning

Clean with a dry cloth. Do not use abrasive and/or corrosive products, detergents, solvents or alcohols.