

Scivola TT round - Kit M - key only 38-48 mm door thickness



Description

Scivola TT lock kit without hub, with opposing hooks actuated by an articulated key that folds into the recess of two brass pulls. All the elements have been designed to eliminate any superfluous projections.

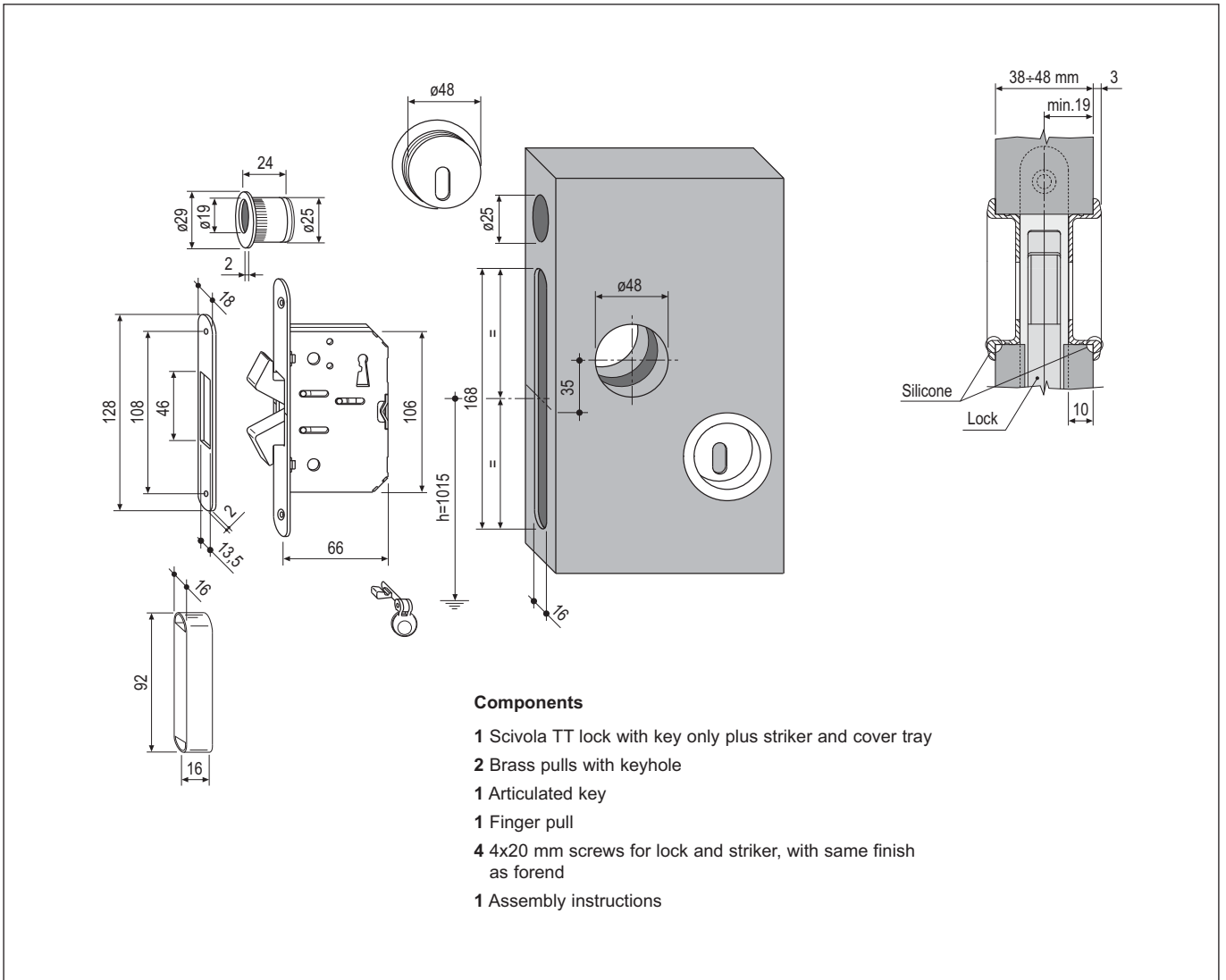
Application

For concealed sliding or folding timber doors with a thickness of 38 to 48 mm, on rooms where the door is closed and locked from both sides.

Mounting

The pulls are secured by embedding, aided by silicone. Follow the assembly instructions provided with the kit. Milling cutters art. Z00005.48.01- 48 mm diameter, are available for milling the pull recesses.

Note. All the kit components come in a single package.



Components

- 1 Scivola TT lock with key only plus striker and cover tray
- 2 Brass pulls with keyhole
- 1 Articulated key
- 1 Finger pull
- 4 4x20 mm screws for lock and striker, with same finish as forend
- 1 Assembly instructions

Order Specifications

	Article	
	B02921.50.XX	1

NB. Refer to the price list in force to check the availability of the finishes.