

Hinge for folding shutters (25 mm)



Description

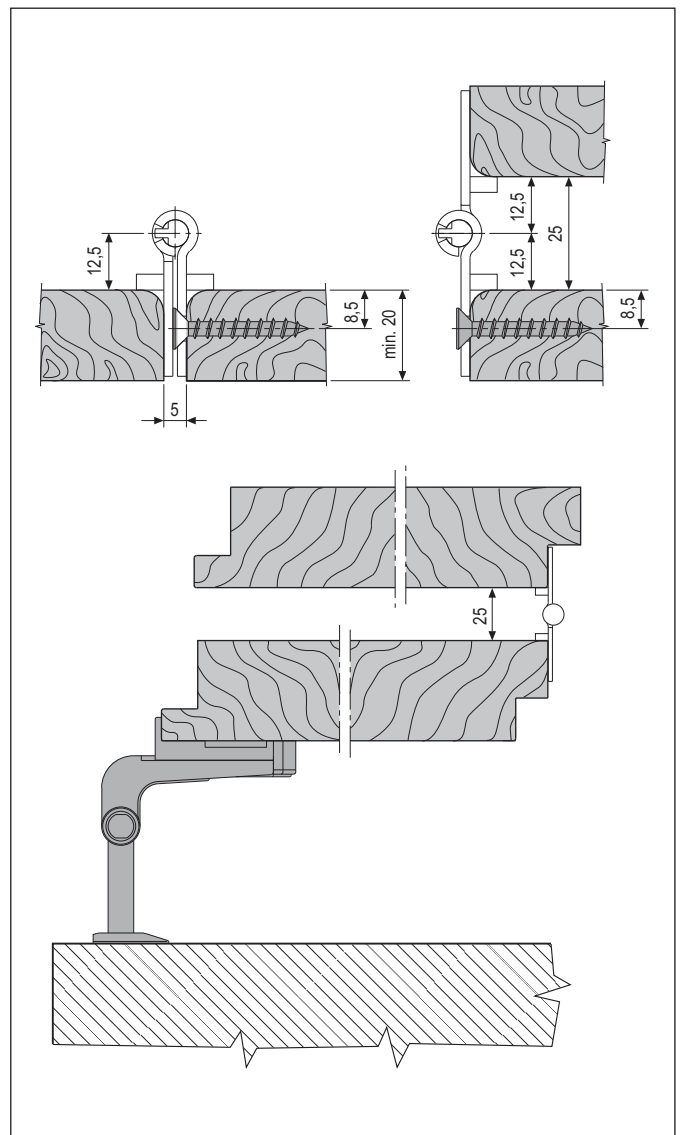
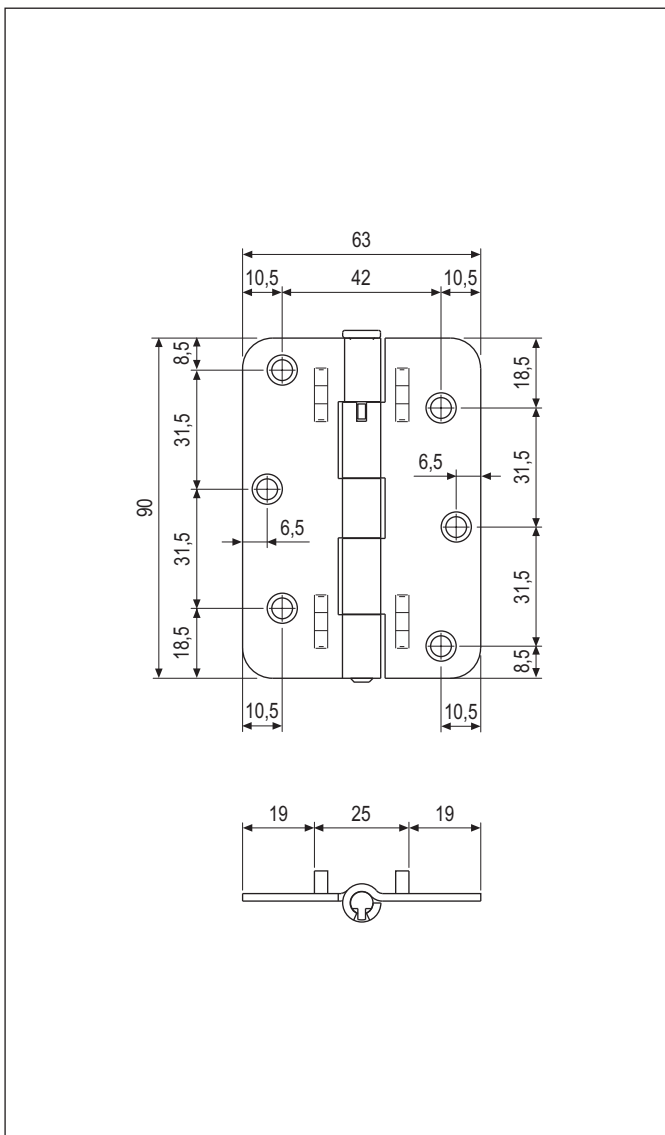
Two-handed full mortise steel hinge with projections to guide assembly and non-removable pin.

Application

For timber, PVC and aluminium shutters with articulated folding leaves. The hinge must be installed on the rebate, in the gap between the leaves. Distance between the leaves with folded hinge: 5 mm; with open hinge: 25 mm, aligned (see installation dralip).

Mounting

Use six 4x30 mm flathead or 3,5x30 mm normal head screws with thread suitable for the shutter material.



Order Specifications

Article
H00950.25.XX

NB. Refer to the price list in force to check the availability of the finishes.