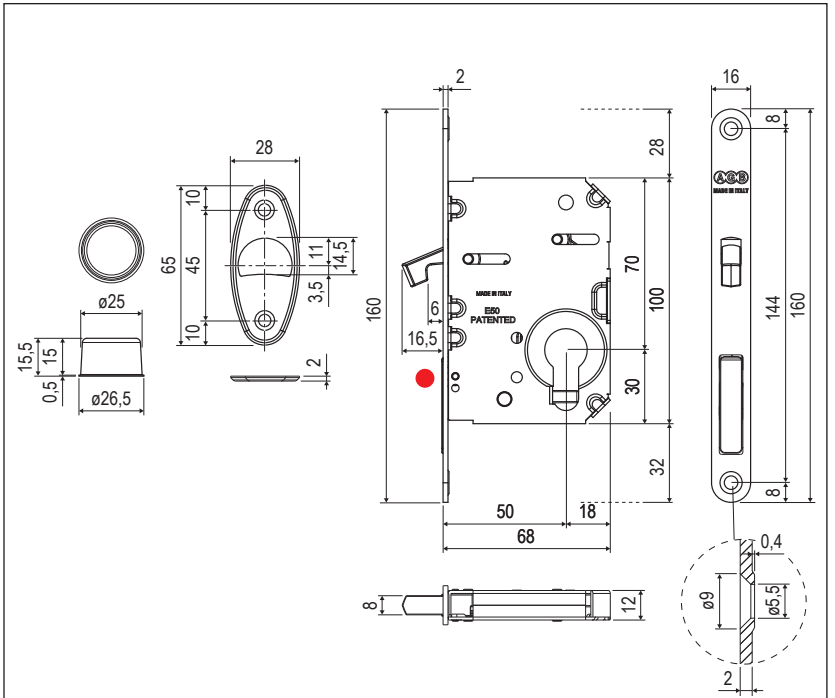
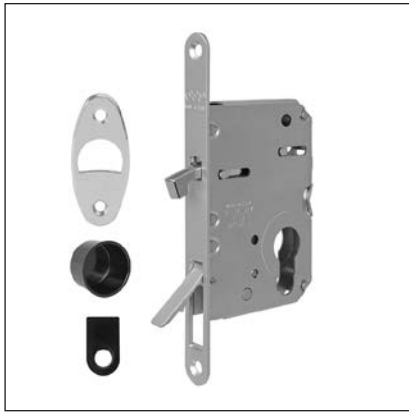


Scivola Tre Class - 16 mm forend, cylinder hole



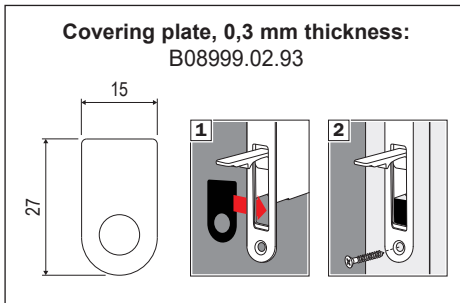
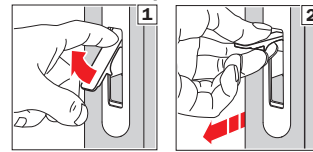
Use

The hub of the handle operates the hook which can be locked by the key.
 To make the sash sliding, use the pull out lever placed in the lock forend.
 The ergonomic grip allows to overpass the resistance of the systems regarding the brake of sliding doors.

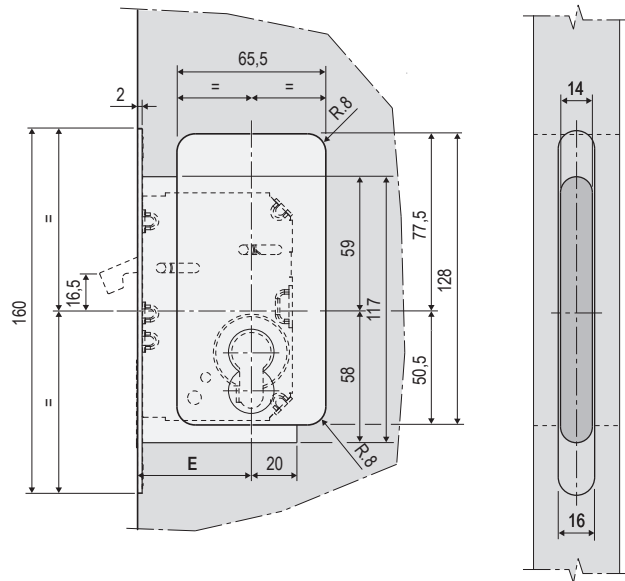
Fastening

Fasten the lock and striker with 4 screws 4x20 mm.

● Concealed pull out lever



Drilling diagram



Order Specifications

Material	Article
STEEL	B08982.50.XX