

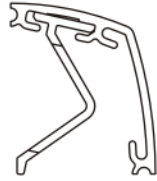
HANDLE EXTRUSIONS WITH CARE!

- ** Do not pull extrusions from end of box **
- ** Open box carefully along length **
- ** Support extrusions along length when carrying **
- ** Maximum overall vent length should not exceed 624mm **

Paint Specification



Vent



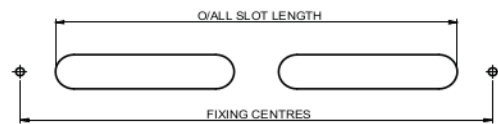
Canopy

- Paint finish to BS 6496.
- Paint extrusions before cutting to length.
- Surfaces should be coated to a thickness of 40-80 microns.

Common Sizes - See Slot details for full slot dimensions

13mm Slot Only	SF Ventilator (mm)			SF Canopy (mm)		
	Flap Extrusion Length	Fixing Centres	Overall Vent Length	Extrusion Length	Fixing Centres	Overall Canopy Length
2500EA	245	260	294	282	300	318
4000EA	385	400	434	405	423	441
5000EA	480	495	529	492	510	528

Custom Sizes



Vent

Vent Length = Overall slot length + 59mm

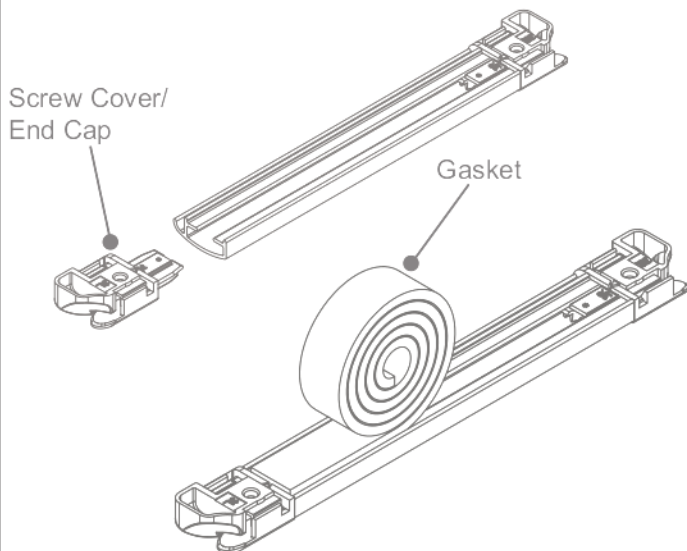
Vent Extrusion Length = Overall slot length + 10mm

Canopy

Canopy Length = Overall slot length + 60mm

Canopy Extrusion Length = Overall slot length + 24mm

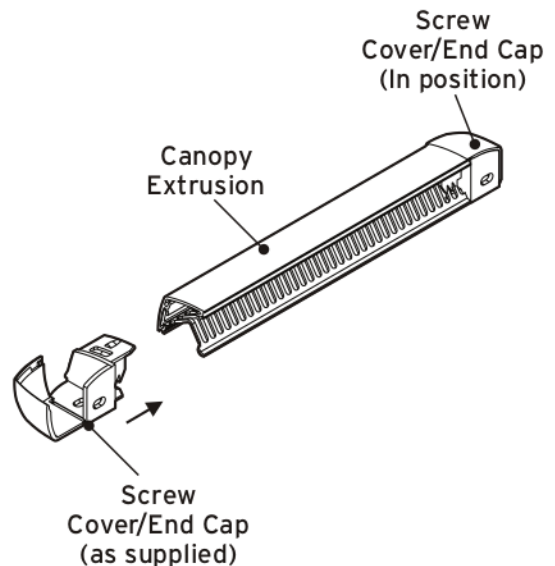
Bar Length Vent Assembly



Ventilator Assembly Instructions

- Cut flap extrusion to required length. See table (top right) for common sizes.
- Insert the end cap assemblies into each end of Flap extrusion ensuring that shoulder is firmly in contact with cut end.
- Stick gasket to extrusion along its full length without stretching the gasket.
- See BM492 - SF Xtra Ventilator Fixing & Operating Instructions.

Bar Length Canopy Assembly



Canopy Assembly Instructions

- Cut canopy extrusion to length. See table (top right) for common sizes.
- Firmly push End Caps/Screw Covers into extrusion, until flush with end of extrusion.