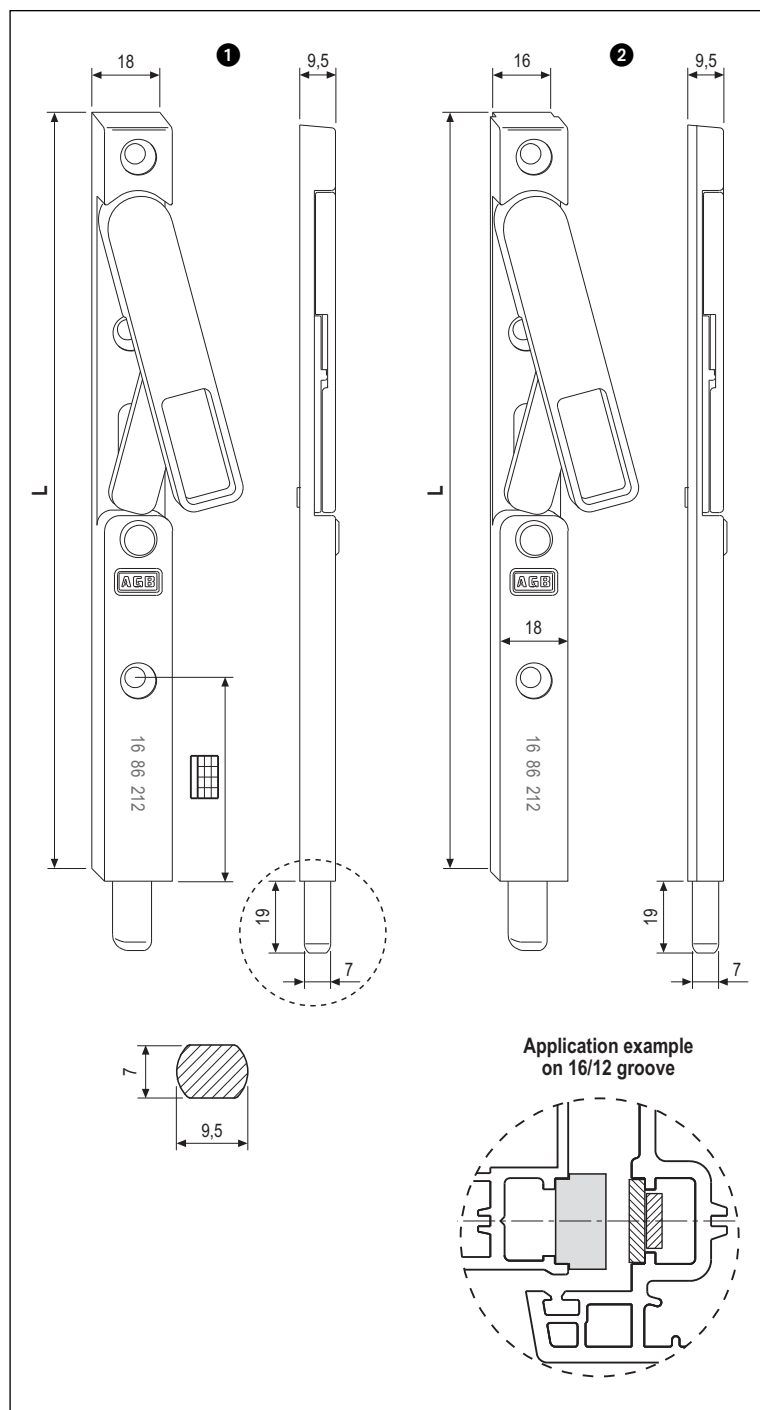


Upper and lower bolt, gap 12 mm and 16/12 eurogroove



Description

Upper and lower bolts with 9,5 mm diameter push rod and 19 mm throw, for 12 mm timber profiles.

Use

Used in combination with Sicurtop locks and suitable for double-sash entrance doors. They are used to secure the semi-stationary sash to the floor (200 mm bolt) and to the head jamb (200, 300 and 400 mm).

Fastening

Use three, four or five 4.5x30 mm screws respectively for each size (200, 300 and 400 mm).

Screw hole position

L	A-B ref.				
	1°	2°	3°	4°	5°
200	53	143	191		
300	53	148	243	291	
400	53	148	248	343	391

Order Specifications

Ref.	Article	L	
❶	W01691.05.01	200	Gap 12
	W01691.05.02	300	Gap 12
	W01691.05.03	400	Gap 12
❷	W99704.19.01	200	Groove 16/12
	W99704.19.02	300	Groove 16/12
	W99704.19.03	400	Groove 16/12