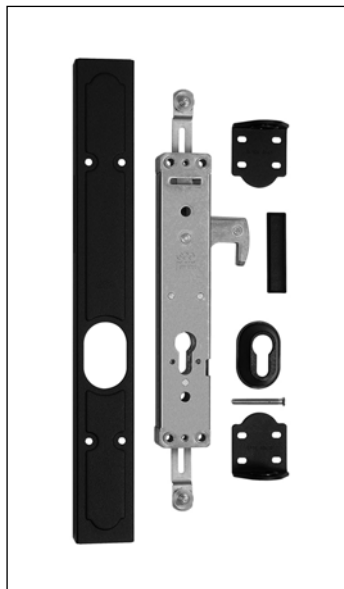


# Basic Kit Ariete Triplex



### Description

Basic kit for Ariete lock with hook for 3 point closure. The lock is non-handed and can be coupled to the vertical closing rods, straight or bent.

### Contents

- n° 1 lock with hook;
- n° 1 varnished cover;
- n° 1 adapter for cylinder key - key (for the knob adapter please find it in the cylinder);
- n° 2 push rod guides;
- n° 1 screw for cylinder;
- n° 1 plastic cover plate for the hook hole.

**Note.** The striker for the hook is not included in the kit because has to be chosen according to the shutter building type: Single and double sash, monoblock, masonry, wood, PVC, adjustable or not adj. striker.

### Application

The lock can be applied on the wood, PVC or Aluminium. When the profile is not flat, different adapter for lock and push rod guide (H32305.00.99

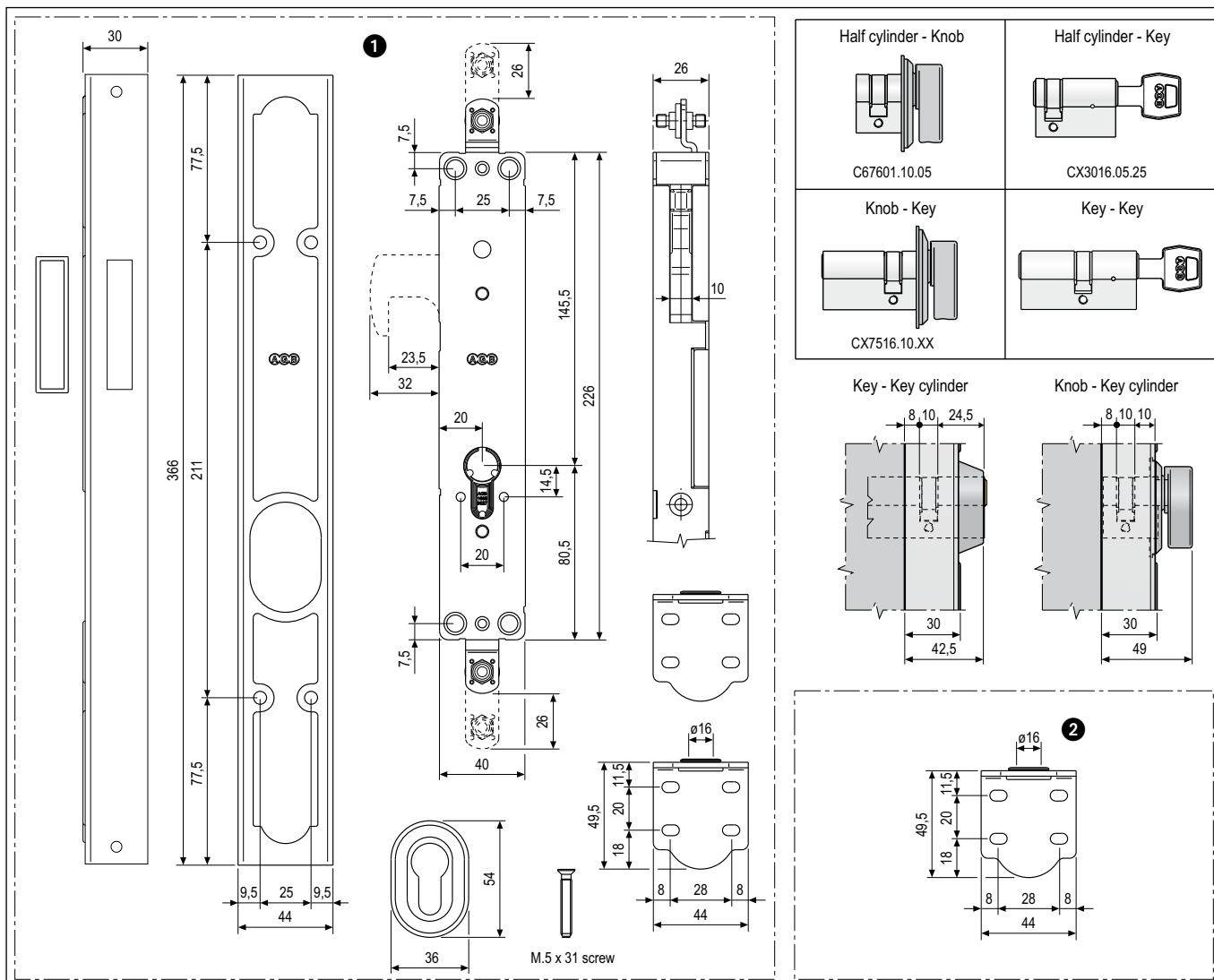
and H32306.00.99) are available. The lock allows different configurations and opening types according to the cylinder: Opening only from inside with knob= C67601.10.05; opening from inside with key= half cylinder CX3016.05.25; Opening from outside with key and from inside with knob= CX7516.10.XX; inside and outside opening with knob= key-key C50016.25.XX

**Note.** For increase the resistance against the break-in attempts according to the Class 2 certification (regulation 1627-30:2000). Advice: use additional push rod guide H32200.00.99.

### Mounting

Two different fastening screws kits are available for the fixing of the lock, the strikers and the push-rod guides.

A kit for the wooden shutters H34400.00.93 and a kit for PVC and Aluminium H34401.00.93



### Order specifications

Ref.	Description	Article
1	Basic Kit Ariete Triplex	H34101.00.XX
2	Additional push-rod guide for 1627-30:2000 certification (class 2)	H32200.00.99

**Note.** Refer to the price list in force to check the availability of the finishes.