

Striker for double sash adjustable U30 for hook with handle



Description

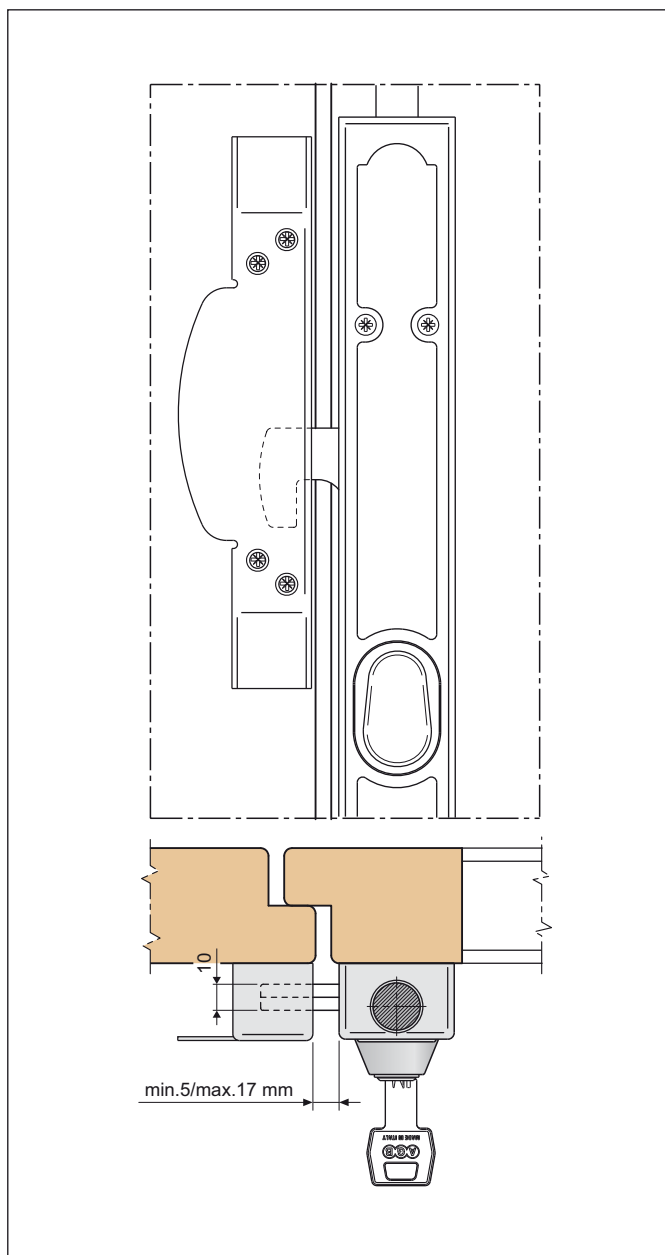
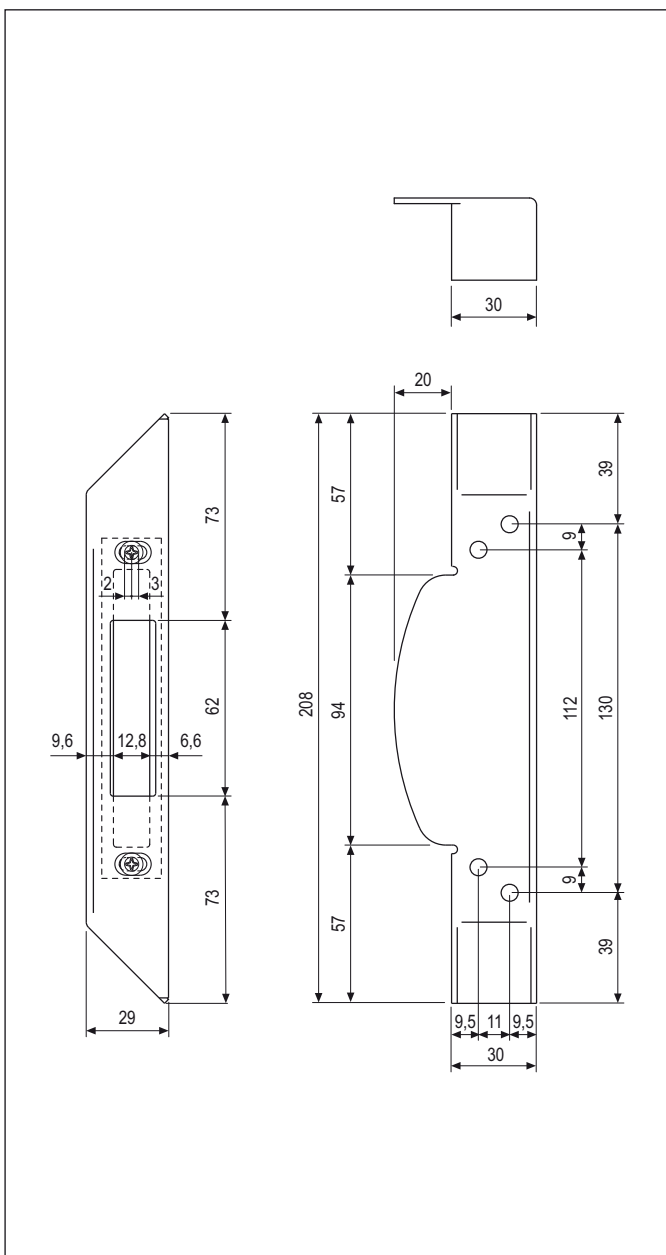
Steel striker for double sash shutters. The striker offers the possibility to adjust on pressure of the striker. Blacktech finish.

Application

On wooden, PVC and Aluminium shutters with flat profile.

Mounting

With screws anchors \varnothing 7 and screws included in the screws kit (5x60 wood; 4,8x50 for PVC and Aluminium).



Order specifications

Description	Article
Adjustable striker for hook with handle	H33001.07.XX

NB. Refer to the price list in force to check the availability of the finishes.