

# Striker for ABACO vertical bolts - flush sash



**Description**

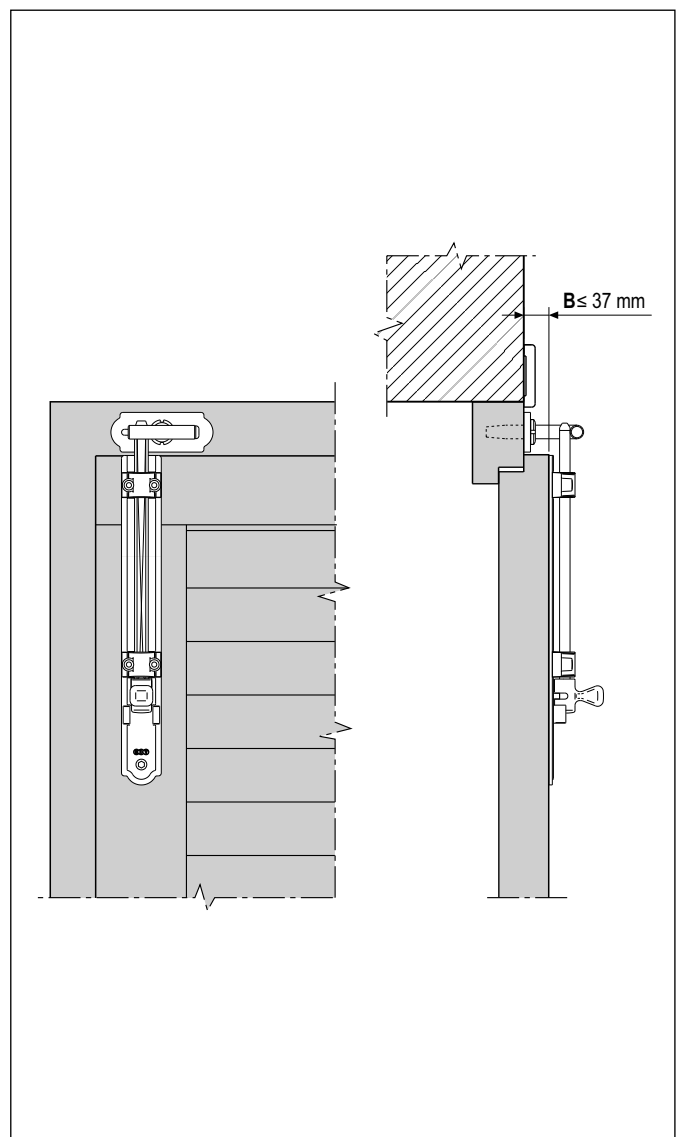
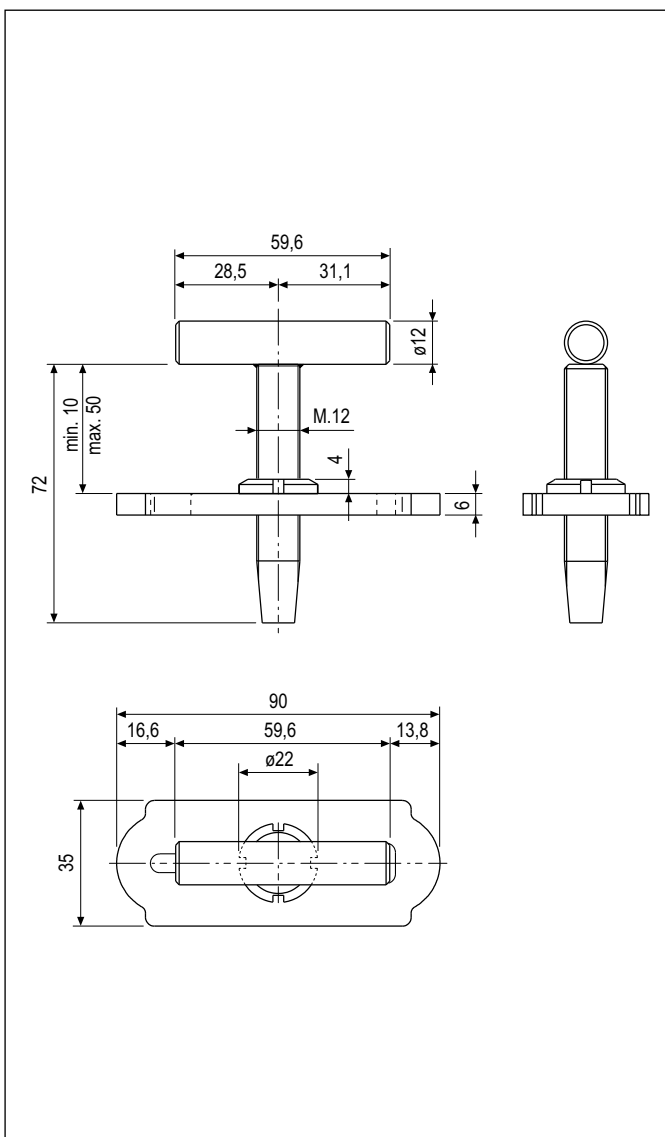
Striker for push rods.

**Application**

On shutters and main doors where sash and frame are internally coplanar (flush). The shape of the striker hole allows the lateral adjustment of the sashes ( $\pm 2$  mm referring to the central position).

**Mounting**

With two  $\varnothing 4 \times 35$  mm screws, thread suitable to building material.



**Order Specifications**

Article
H00964.02.XX

**NB.** Refer to the price list in force to check the availability of the finishes.