

Security bolt for espagnolette - for single sash



Description

Horizontal bolt for single sash shutters with articulated knob. Improve de security of the sash without injuring the functionality of the espagnolette closing system.

Application

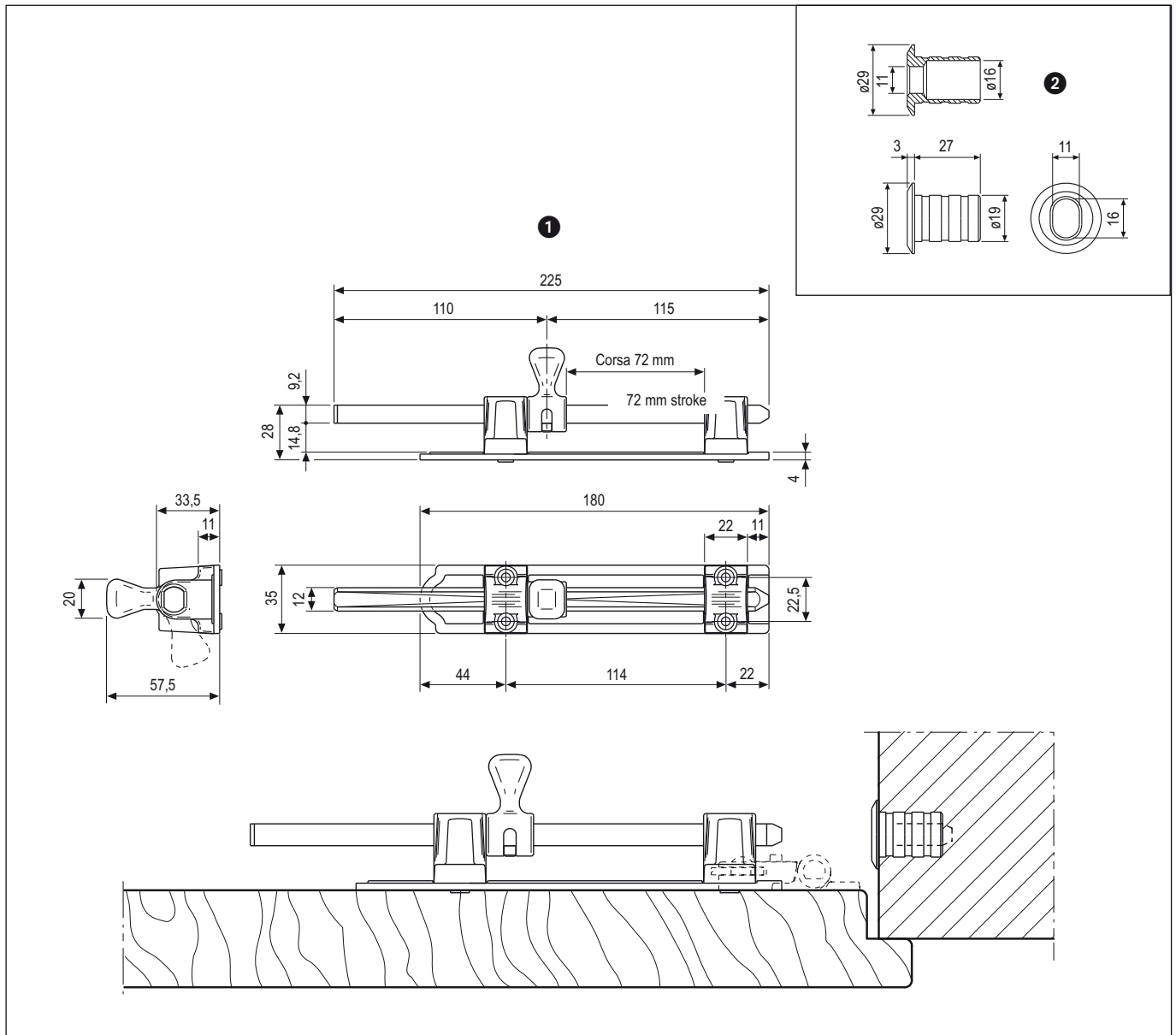
On new or existing shutters, are applied astride the espagnolette in order to improve the security. It is suitable to all espagnolettes on the market.

Mounting

According to the desired rod throw and the gap of the shutter, position the bolt on a adequate distance from the edge and fix it with maximum $\varnothing 4$ mm screws.

Then mark the drilling position for the application of the bushing.

For a better anchoring of the bushing we recommend to use bi-component resins.



Order Specifications

Ref.	Description	Bracket size	Article
1	Bolt + striker	225	H00963.00.XX
2	Through striker	-	H00964.00.XX

NB. Refer to the price list in force to check the availability of the finishes.