

Support for adjustable hinges - screw hole 35 mm



Description

Selection of four zamak supports suitable for adjustable hinges that have the first screw hole 35 mm from the shutter rebate.

Application

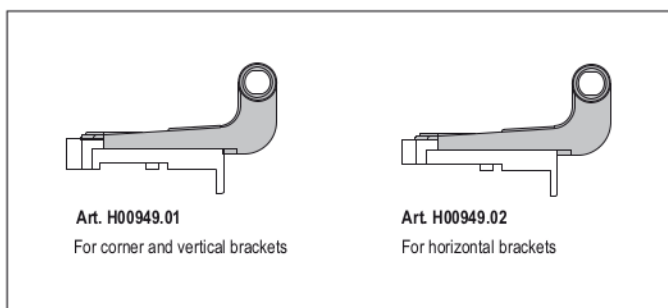
The support enables coupling of the adjustable hinge with the corner and vertical brackets. Select it based on the shutter design, keeping in mind that the supports for the rebated solutions are suitable for a rebate thickness (or shutter thickness, in the case of overlapped systems) of at least 15 mm, otherwise the supports for the flush solutions should be used.

NB. The adjustable hinge may be coupled with the support on site, for easier transport operations.

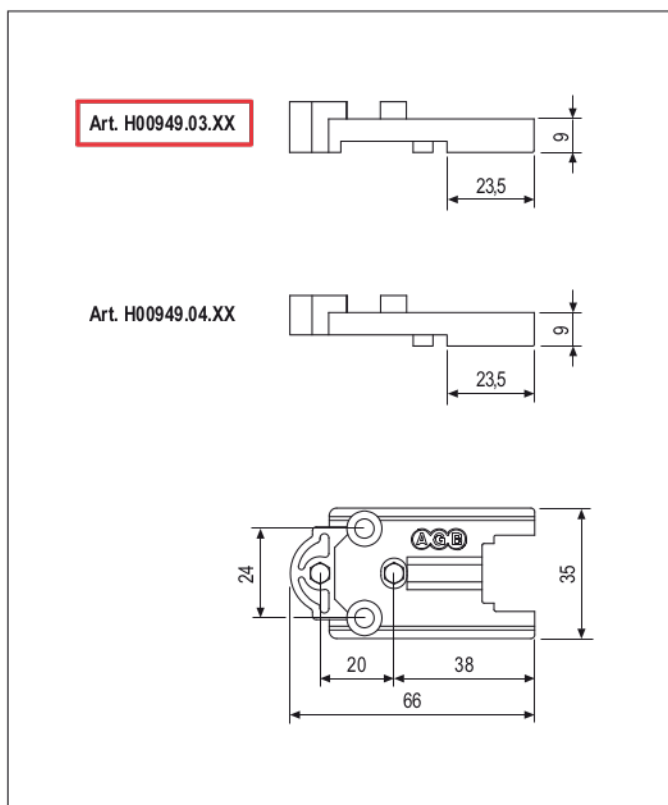
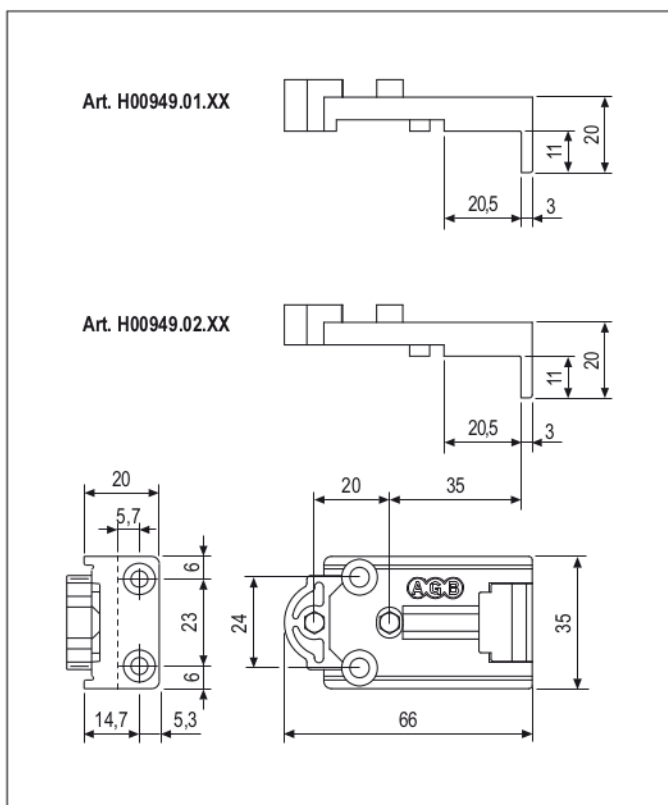
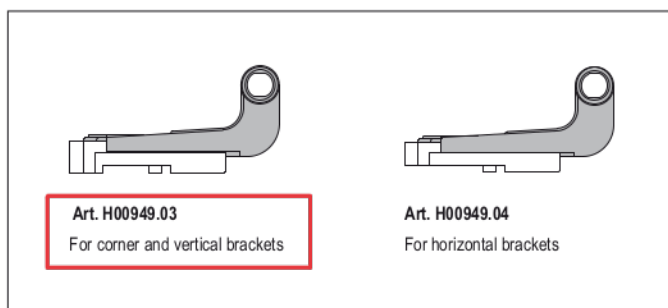
Mounting

Use two 4.5x35 mm screws with suitable thread.

REBATED SOLUTION



FLUSH SOLUTION



Order Specifications

Solution	Article
Rebated, for corner and vertical brackets	H00949.01.XX
Rebated, for horizontal brackets	H00949.02.XX
Flush, for corner and vertical brackets	H00949.03.XX
Flush, for horizontal brackets	H00949.04.XX

NB. Refer to the price list in force to check the availability of the finishes.