

Shim for automatic wall catch striker



Description

5 mm nylon superimposable shim.

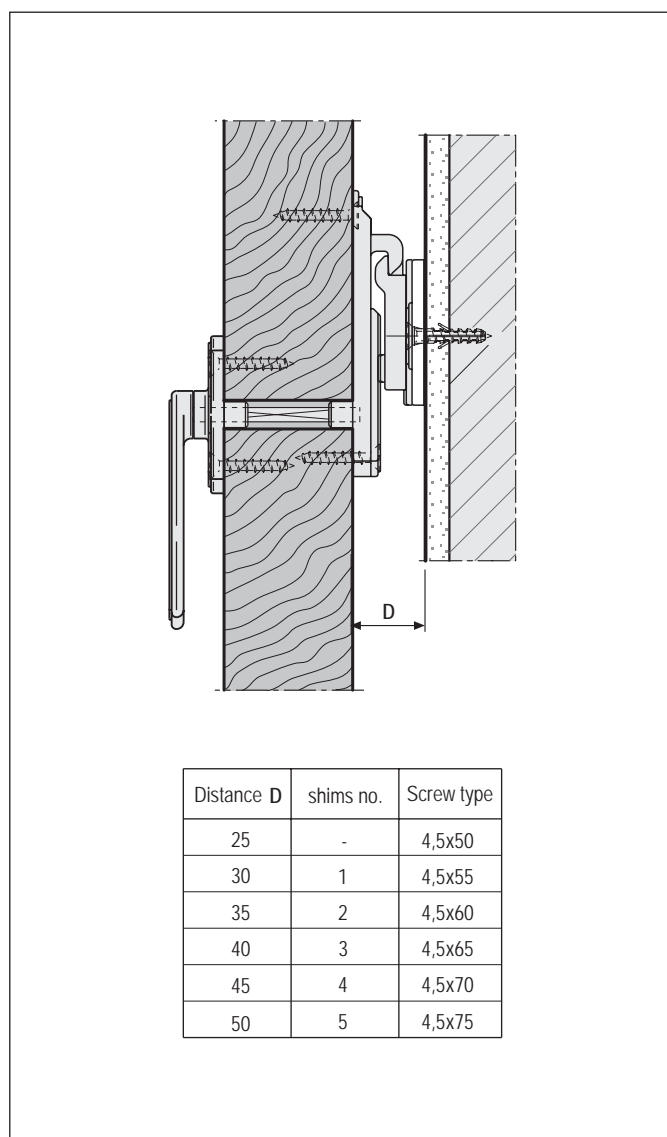
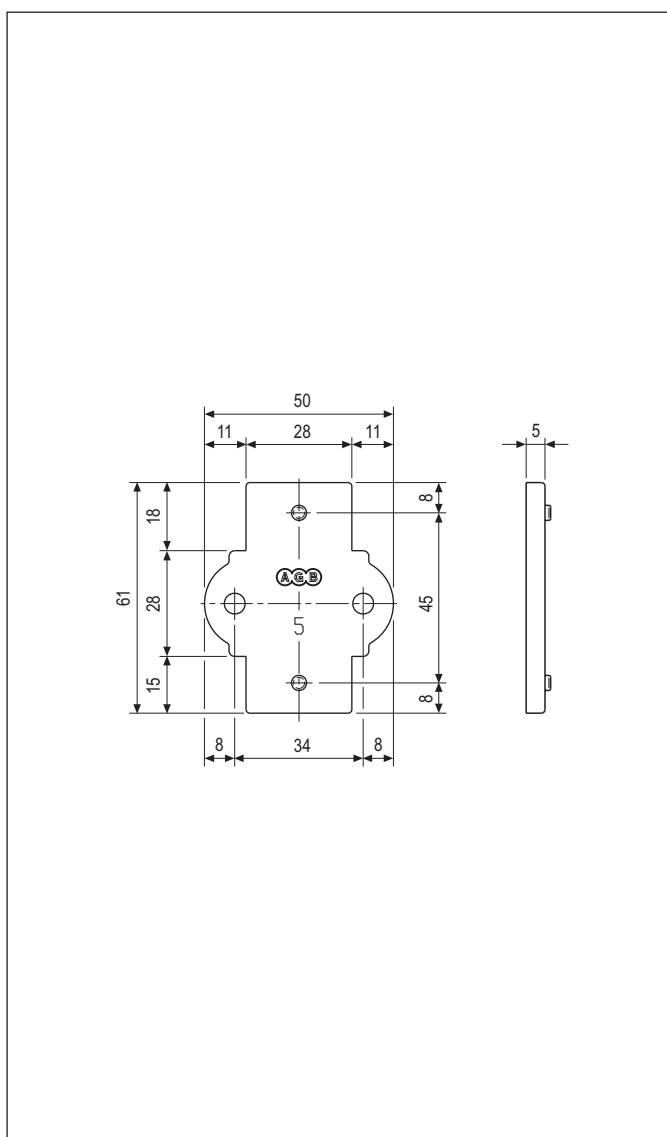
Application

To be coupled to the automatic wall catch striker (H00926.00.XX and H019026.00.XX), for shutters having a distance from wall more than 25 mm (when opened on 180°).

Mounting

To be snapped in to the back side of the striker

NB. The screws must be chosen according to the number of applied shims.



Distance D	shims no.	Screw type
25	-	4,5x50
30	1	4,5x55
35	2	4,5x60
40	3	4,5x65
45	4	4,5x70
50	5	4,5x75

Order Specifications

Article
H00926.04.XX

NB. Refer to the price list in force to check the availability of the finishes.