

Wall catch for shutters - for insulating applications



Description

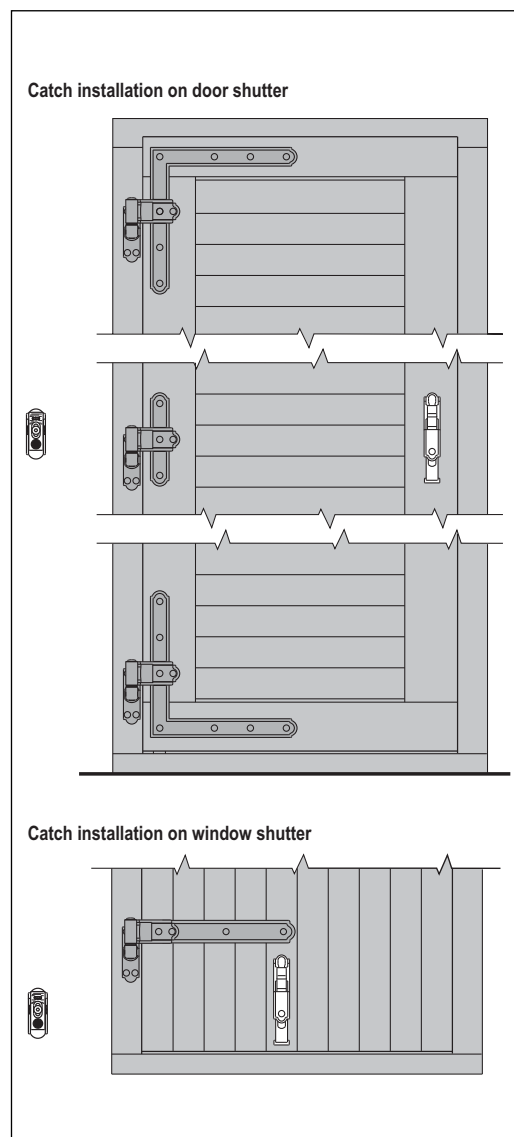
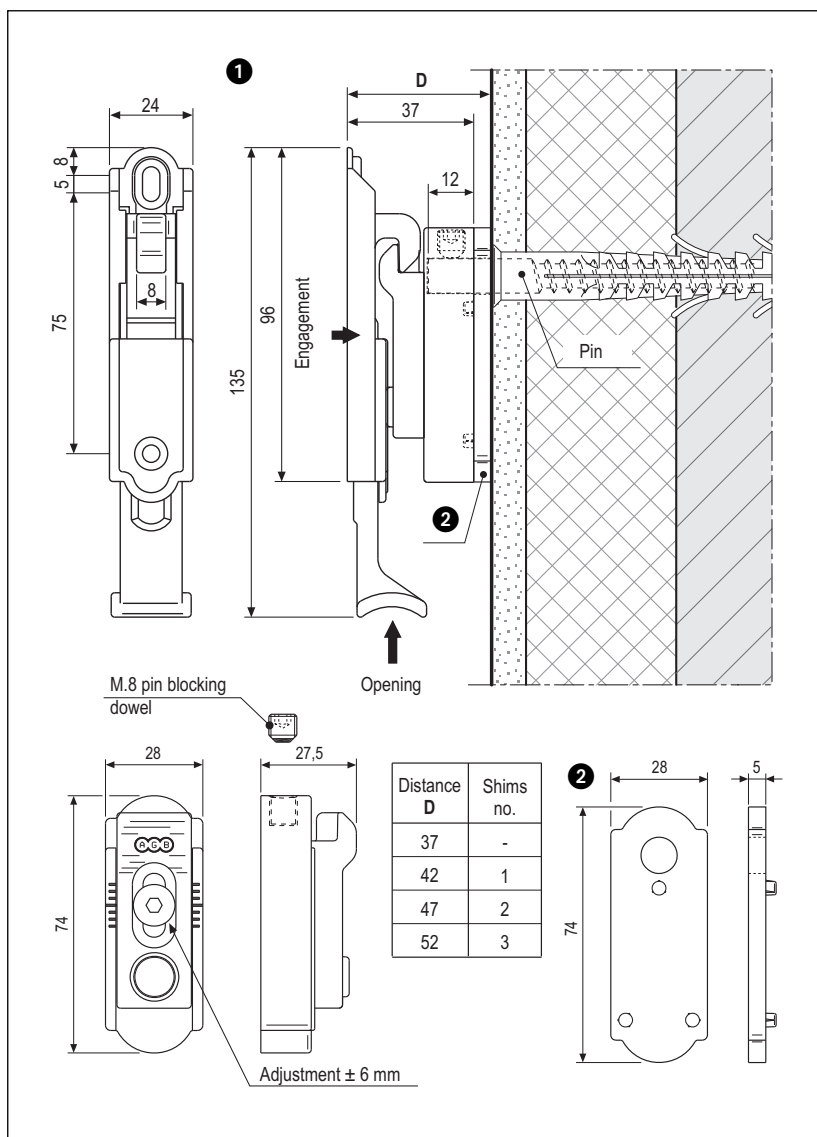
Wall catch with un-hooking system and striker specially designed for walls insulated with foam.

Application

The wall catch with handle is very versatile as all wall catches with hook on wall because allows blocking the shutters built in different ways (therefore all shutters with the same wall catch).

Mounting

Mount the wall catch with handle on the sash in the position required. Afterwards use the jig H00930.03.01 on the the sash and mark a reference point on the wall. This point is then drilled for the installation of the screw anchor and the pin. By positioning the screw-pin as indicated in its technical page, a 12 mm protruding part of the pin allows to fix the striker with its fastening dowel.



Order Specifications

Ref.	Description	Article
1	Wall catch	H00926.03.XX
2	5 mm adapter for handle base	H01926.05.XX

NB. Refer to the price list in force to check the availability of the finishes.