

Hinge lock kit 90°



Description

Right or left-hand hinge lock kit with adjustable corner end of stroke.

Components

- 1 socket-head fastening screw
- 1 plug
- 1 bushing with dowels
- 1 hinge lock body with dowel
- 1 spring bumper

Application

Use only in locations not subject to high winds, on shutters with an area not exceeding 1.5 m², with adjustable pintles and hinges. Used to hold the leaf open at 90°. Easy-to-reach release pin.

- Used in combination with GR 1, 2, 3 adjustable pintles with either narrow or large bracket, and with

adjustable hinges.

- For GR 0 pintles with narrow bracket, it can be used only with measurement B > 48 mm, on flush shutters with the GR 1 hinge.

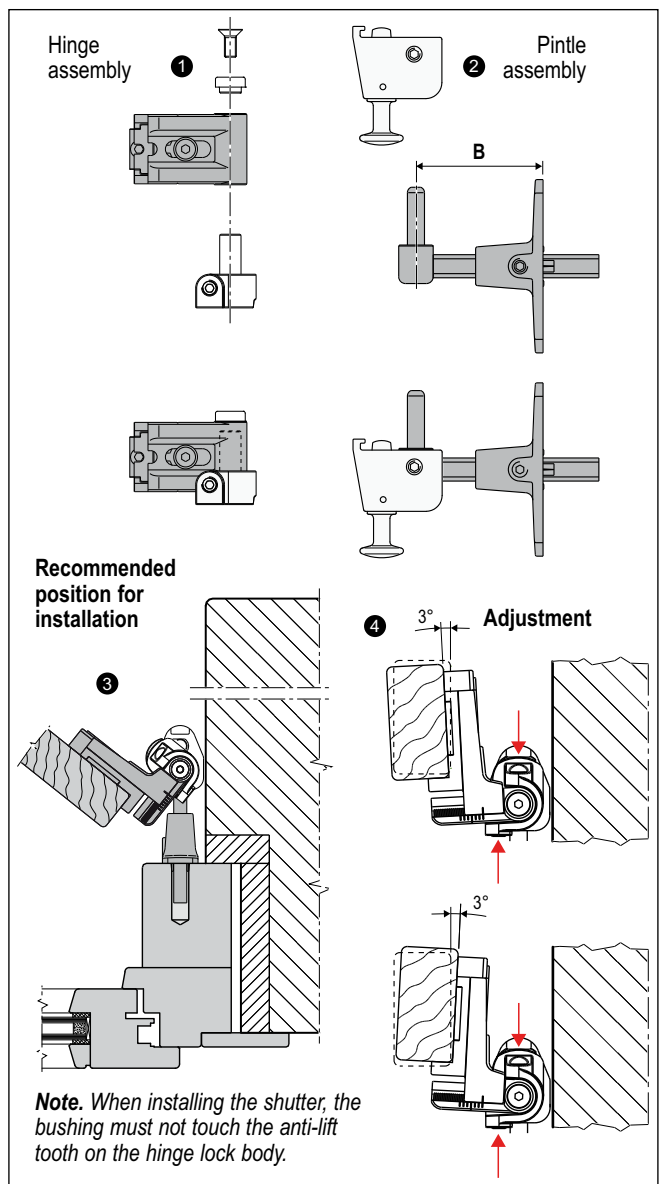
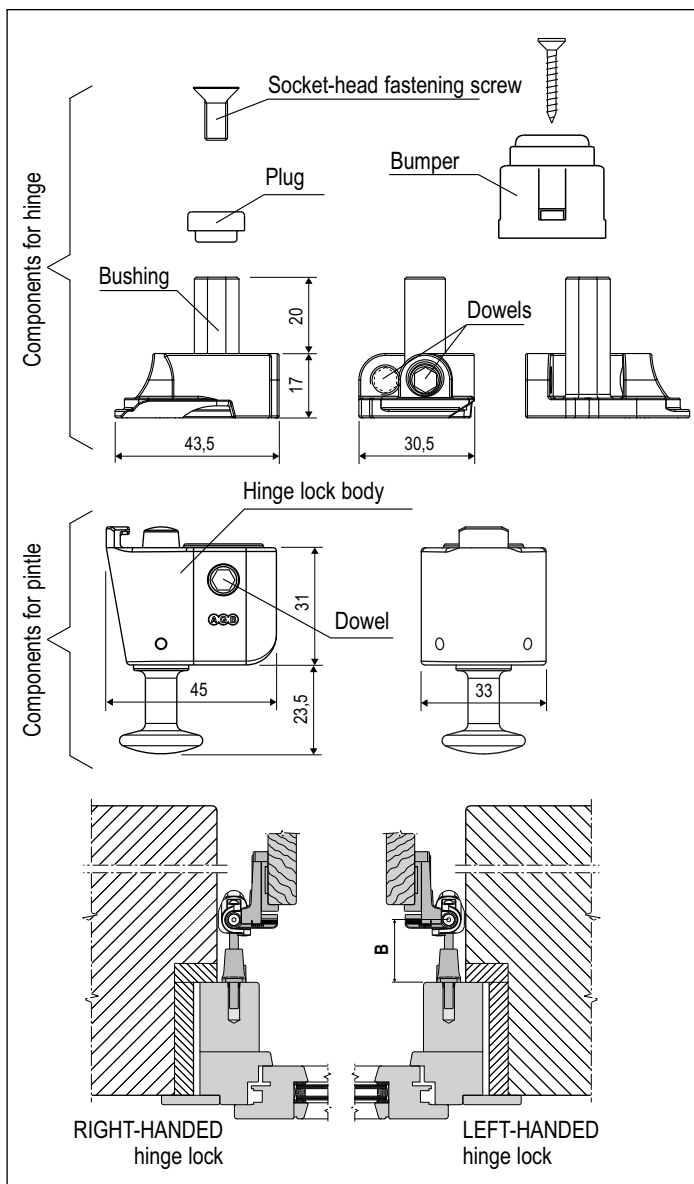
- For pintles with narrow bracket, it can only be used when the clearance between the closed shutter and the reveal is greater than 34 mm.

Mounting

It must be fitted on the pintle or adjustable hinge. See dralip.

FLUSH SHUTTERS: GR 0 pintle minimum adjustment B=48; GR 1 hinge minimum adjustment H=49.

REBATED SHUTTERS: Minimum rebate 17 mm; GR 0 pintle minimum adjustment B=53; GR 0 hinge minimum adjustment H=36



Order Specifications

Type	Article
Lh	H00913.02.XX
Rh	H00913.03.XX

Note. Refer to the price list in force to check the availability of the finishes.