

## Basic kit for double sash - small handle with articulated catch



### Description

Basic kit featuring espagnolette with 180° rotation and catch suitable to 2 sashed shutters.

The knob thickness of only 16,5 mm and catch of 12,5 allows the installation on folding sashes.

The basis of the espagnolette has reduced dimensions and allows the application on narrow profiles.

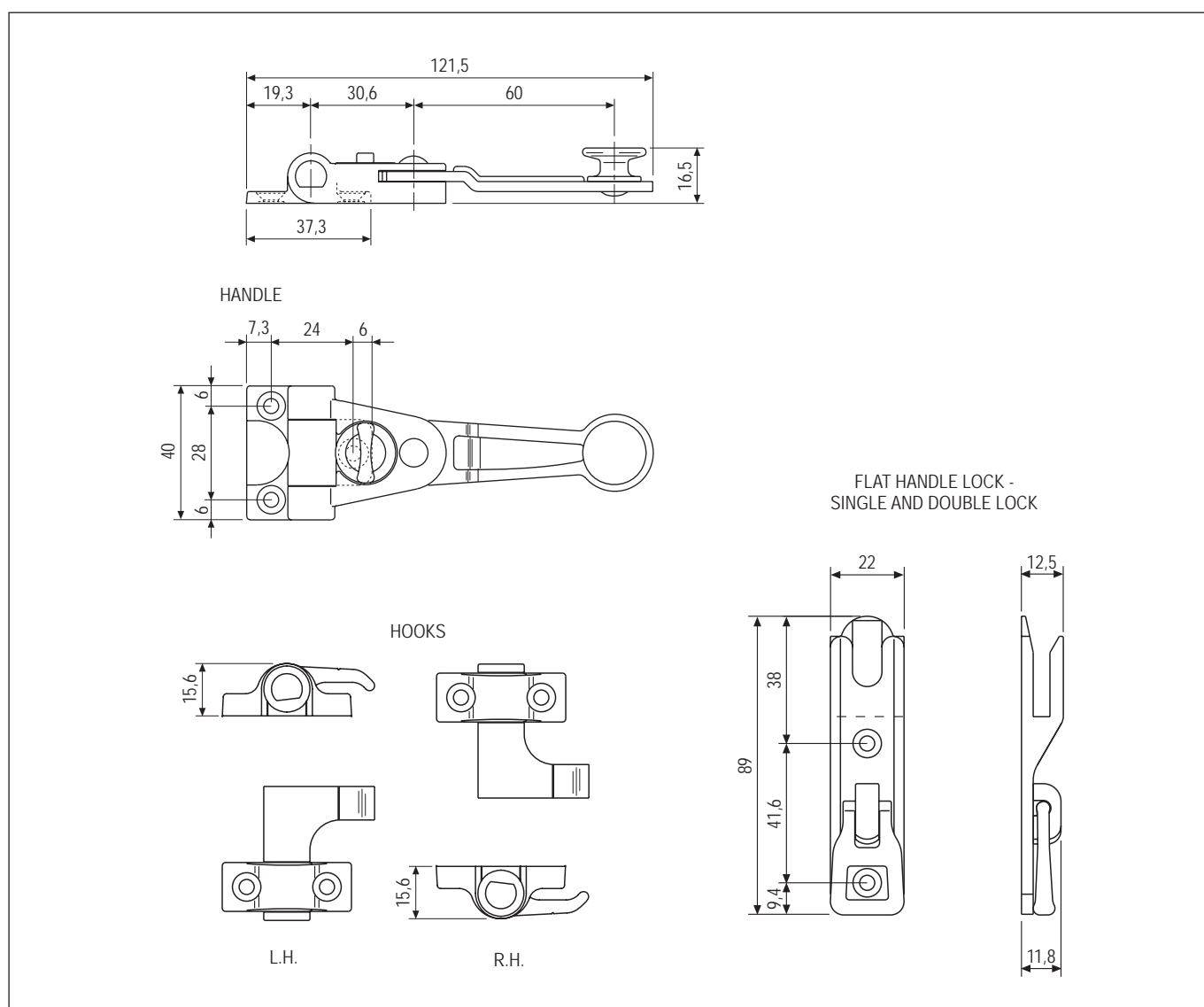
### Mounting

Use screw with suitable thread to the shutter material  $\varnothing$  4x30.

### Finish surface treatment

On basis zink plated and then a cataphoresis process as a basis for a final polyester powder finish.

These procedures guarantee special weather-proof and wear-resistant.



### Order Specifications

Article

H00903.19.XX

**NB.** Refer to the price list in force to check the availability of the finishes.