

Reduced basic kit - single sash



Description

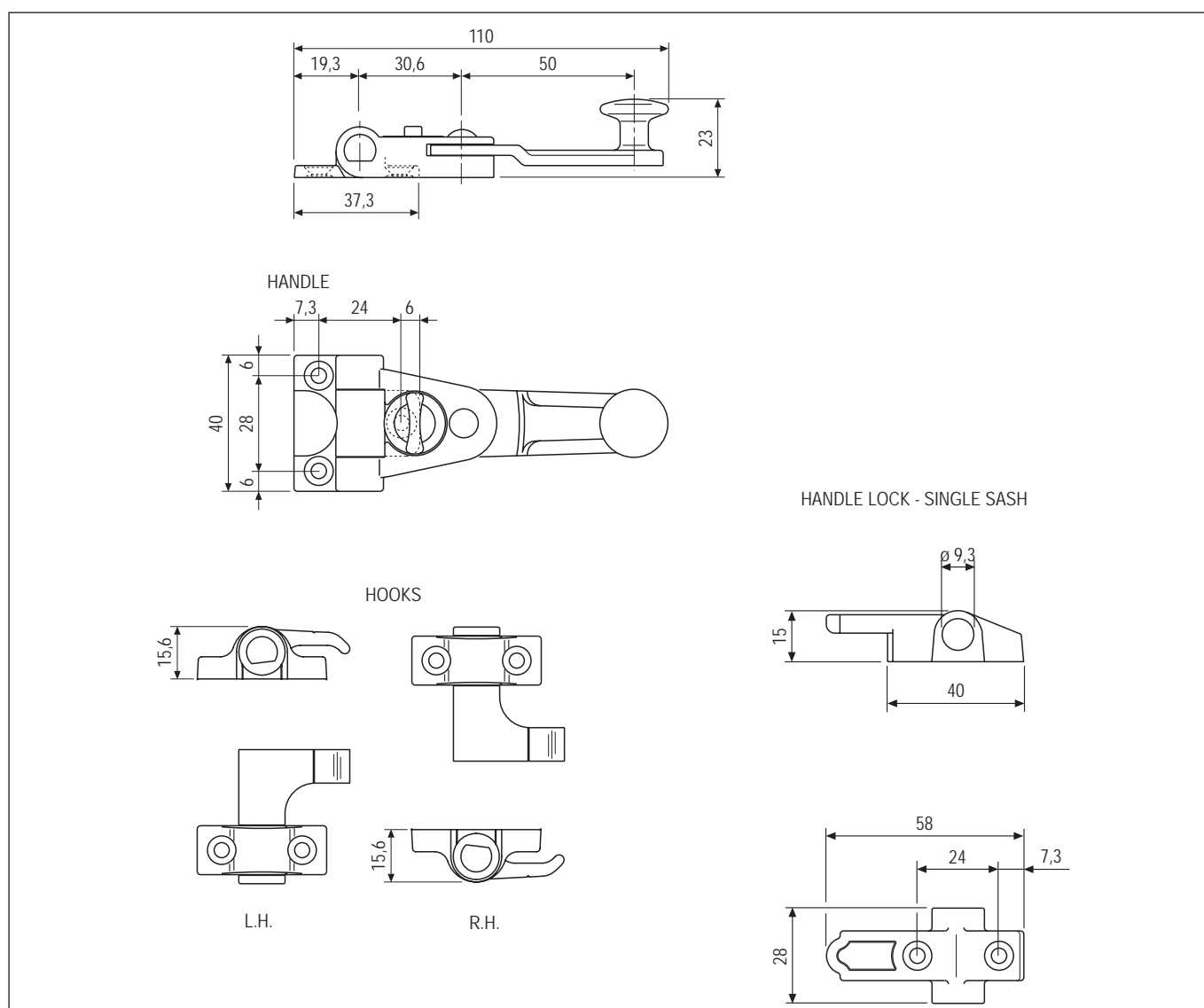
Basic kit featuring espagnolette with 180° rotation and reduced handle lock. Suitable for single-sash shutters.

Components

- 1 espagnolette (reduced).
- 1 handle lock for single-sash shutter (reduced).
- 1 right-handed closing hook.
- 1 left-handed closing hook.

Mounting

See instructions provided in the accessories specifications sheets.



Order Specifications

Type	Article
Reduced	H00903.07.XX

NB. Refer to the price list in force to check the availability of the finishes.