

Espagnolette UNICA



Description

Handle with 180° rotation and anti-burglar security thumbturn.

Available in the standard version and pre-adapted with 4 or 7 mm shim for alu and PVC shutters where surmounted profiles are used.

It is also available in a basic kit that includes all the accessories required for assembly on single or multiple-sash shutters.

Mounting

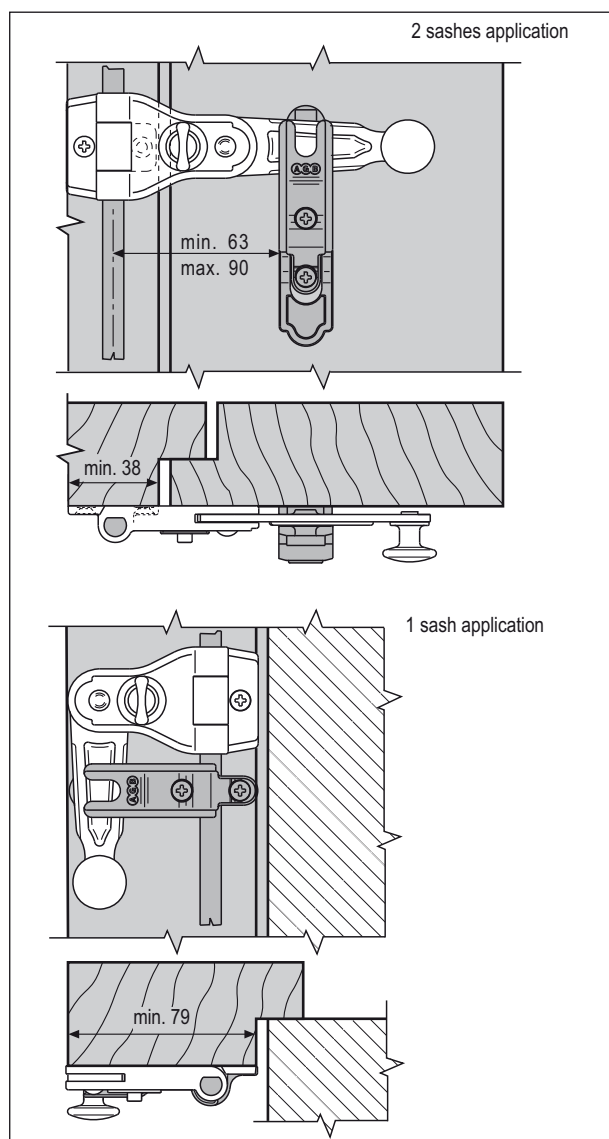
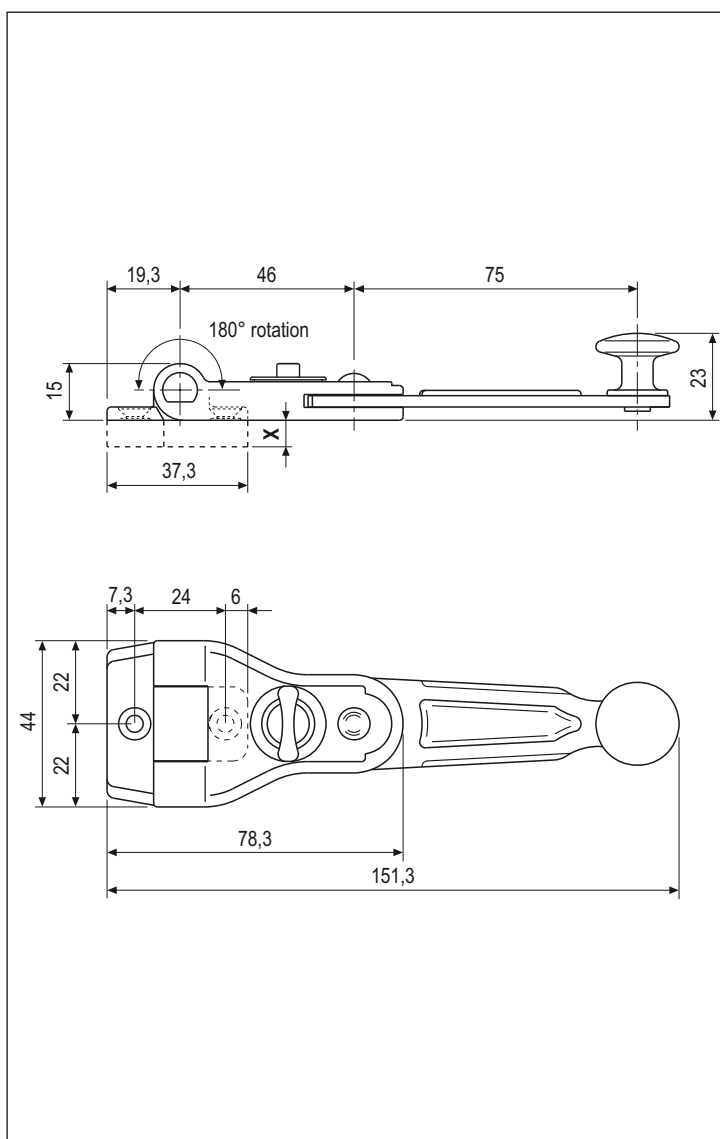
Use screw with suitable thread to the shutter material \varnothing 4x30.

Finish surface treatment

On basis zink plated and then a cathoresis process as a basis for a final polyester powder finish.

These procedures guarantee special weather-proof and wear-resistant.

NB. When adapters should be used please use art. H00901.63.XX and H00901.64.XX (3 and 4 mm respectively).



Order Specifications

Type	Article	X
UNICA	H00901.04.XX	0 mm
UNICA	H00901.73.XX	4 mm
UNICA	H00901.74.XX	7 mm

NB. Refer to the price list in force to check the availability of the finishes.