

Catch Handle lock - UNICA



Description

Locking catch suitable for 1 or 2 sashed shutters. Available in 3 different thicknesses.

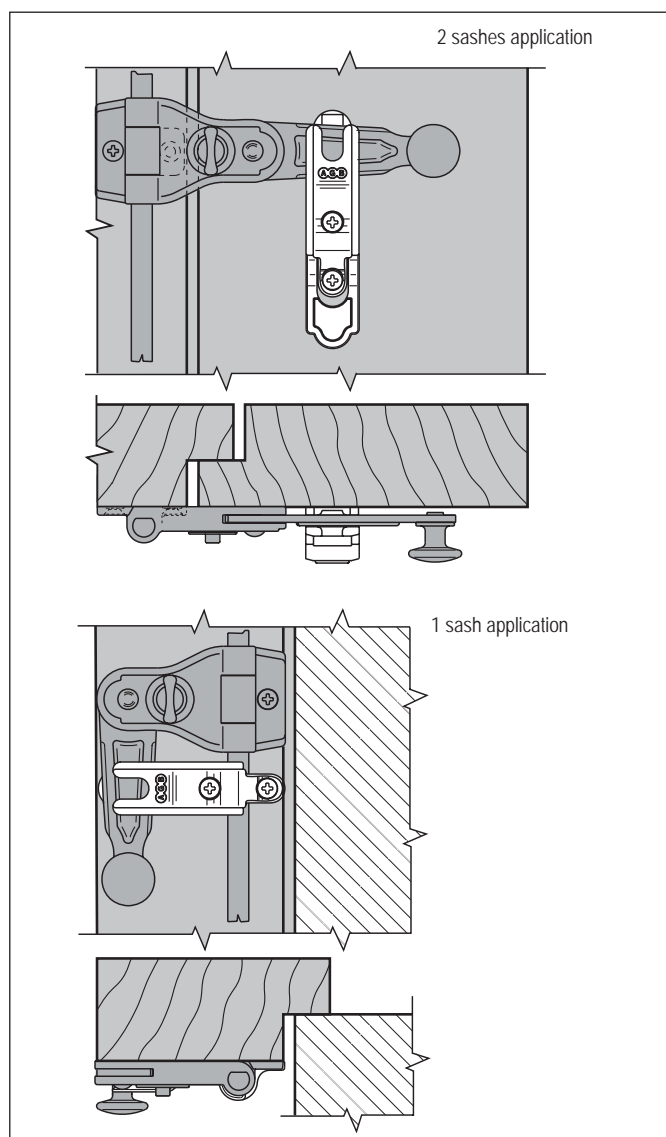
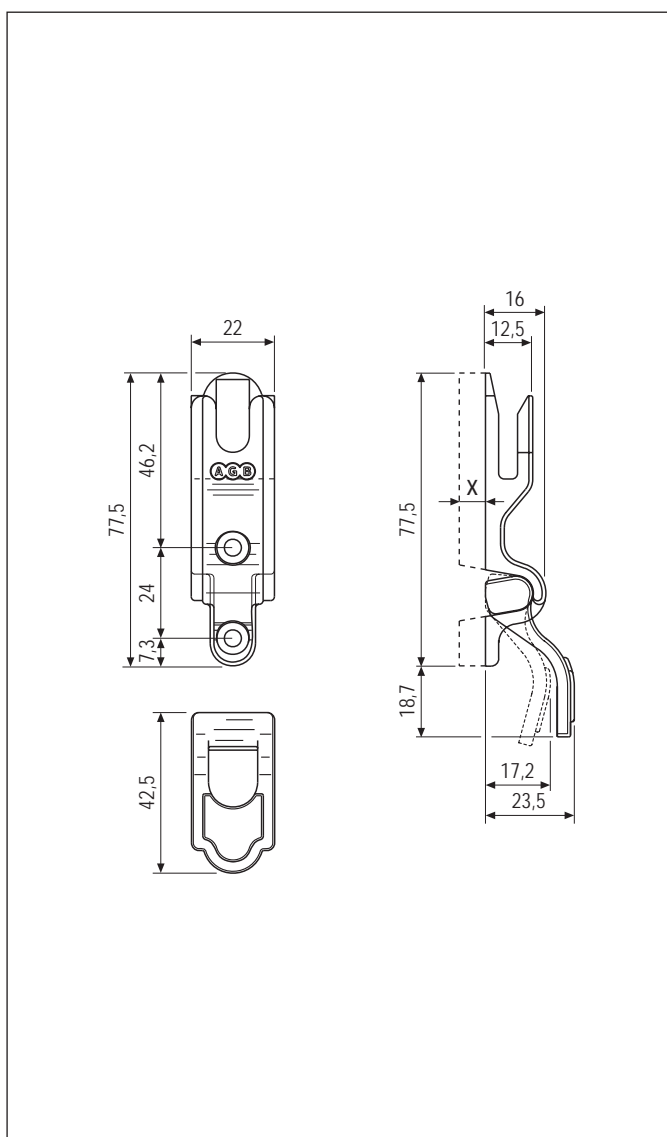
Application

For double sashes, has to be used with the two components and the pending component works as a pull handle.

On single sash do not use the pending component and the catch must be installed as showed in the drawing

Mounting

Exclusively with Unica Grande, articulated, long and lowered versions. Do not use with reduced and small versions



Order Specifications

Article	X
H00901.57.XX	0 mm
H00901.71.XX	4 mm
H00901.72.XX	7 mm

NB. Refer to the price list in force to check the availability of the finishes.