

## Small espadnolette



### Description

Espagnolette with 180° rotation and anti-burglar security thumbturn. It consists of a fixed support which is fastened to the stile of the shutter, and of a movable part that rotates the rod to enable the fastening and opening of the shutters. It is also available in a basic kit that includes all the accessories required for assembly on single or multiple-sash shutters.

### Application

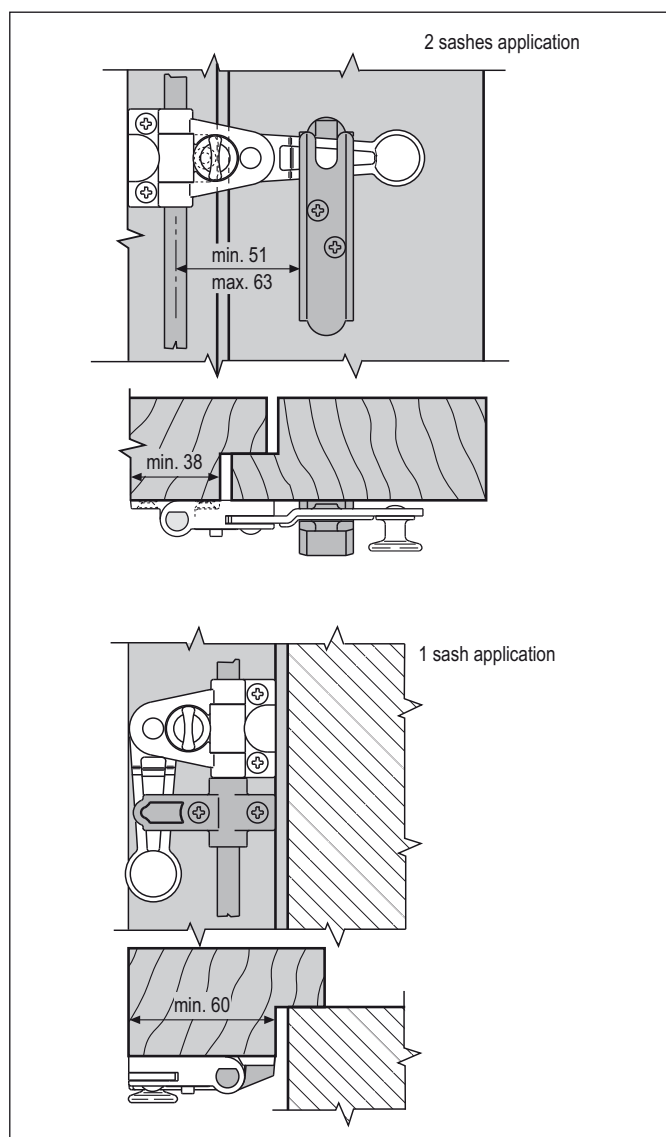
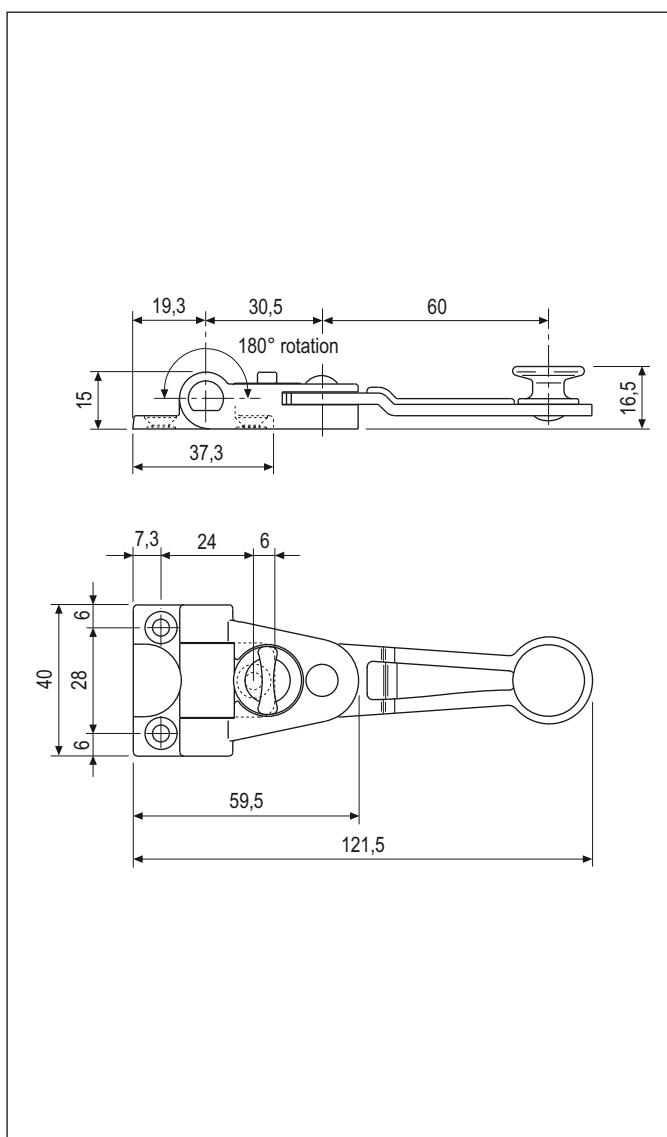
Suitable for all traditional systems with finished stiles of reduced width, at least 60 mm.

- To be used in combination with drive rod and catch for single or double-sash shutters.

### Mounting

Use three 4x30 mm screws with thread suitable for the shutter material.

**NB.** When adapters should be used please use art. H00901.63.XX and H00901.64.XX (3 and 4 mm respectively).



### Order Specifications

Type	Article
Small espadnolette	H00901.49.XX

**NB.** Refer to the price list in force to check the availability of the finishes.