

## Catch handle lock for UNICA espagnolette - single sash shutter



### Description

Catch for single-sash shutters. It is a standard component in basic kits featuring large single-sash espagnolettes.

### Application

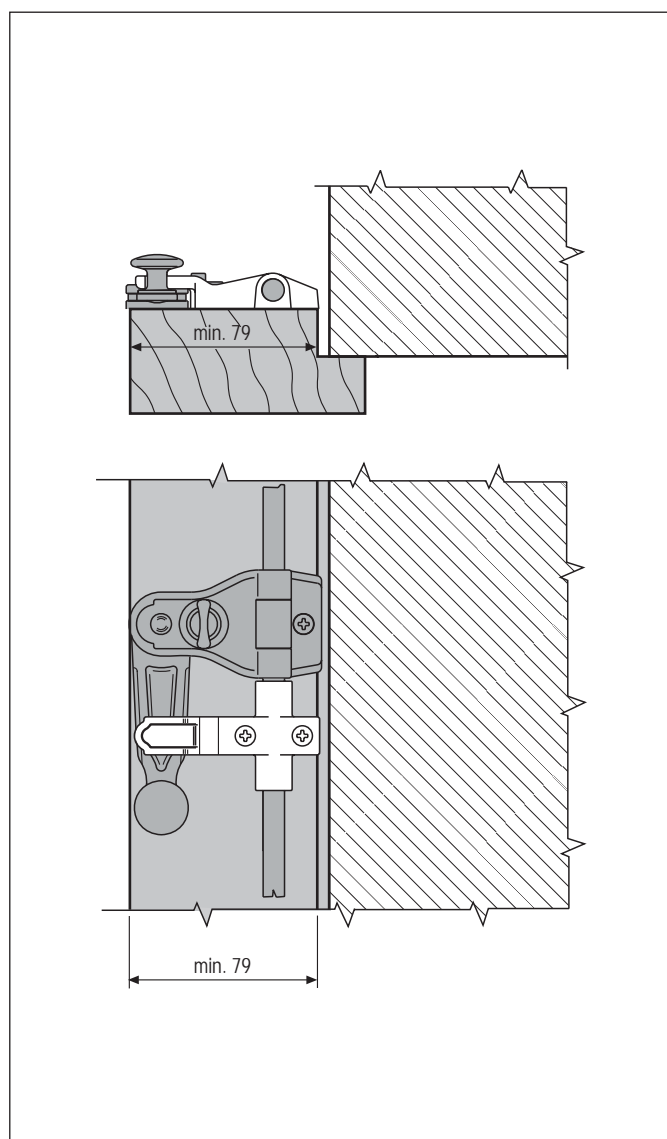
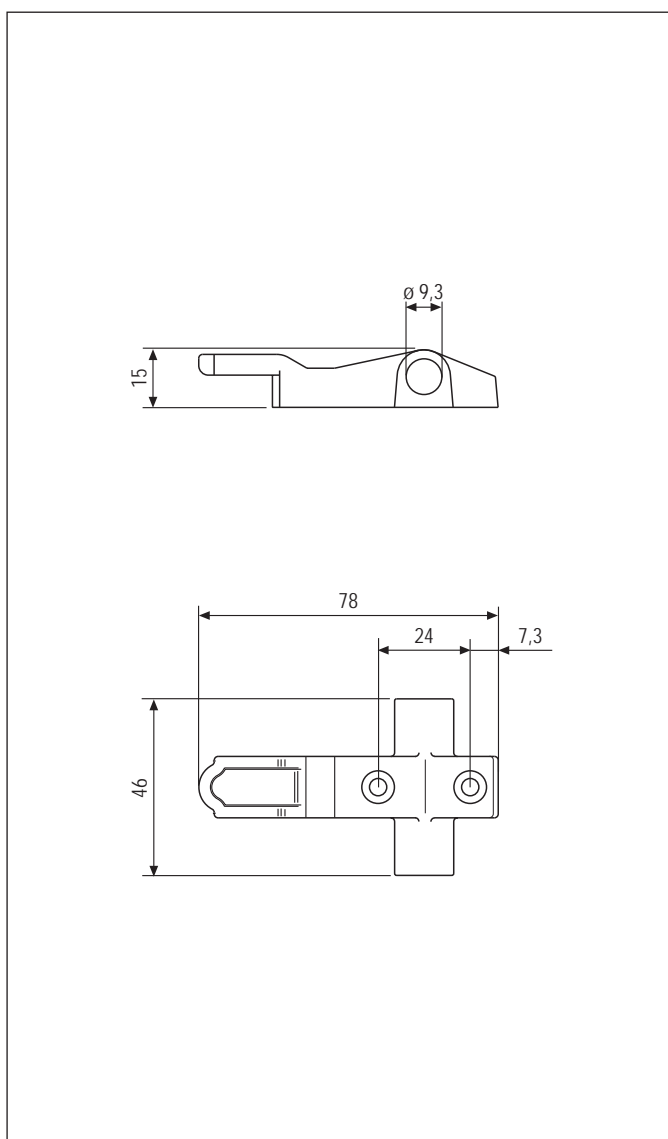
Suitable for all traditional systems with finished stiles of at least 83 mm width. Especially suitable for single-sash shutters.

**NB.** The catch must be positioned on the drive rod, right under the espagnolette, before being mounted.

- To be used in combination with drive rod and large standard or articulated espagnolette

### Mounting

Use two 4x30 mm screws with thread suitable for the shutter material.



### Order Specifications

Article
H00901.07.XX

**NB.** Refer to the price list in force to check the availability of the finishes.