

## Large espagnolette - flat handle



### Description

Handle with 180° rotation and anti-burglar security thumbturn.

It consists of a fixed support which is fastened to the stile of the shutter, and of a movable part with a small articulated lever that rotates the rod to enable the fastening and opening of the shutters.

It is also available in a basic kit that includes all the accessories required for assembly on single or multiple-sash shutters.

### Application

Especially suitable for shutters with inward folding leaves or monobloc systems where the useful space between shutter and window is less than 23 mm, to a minimum

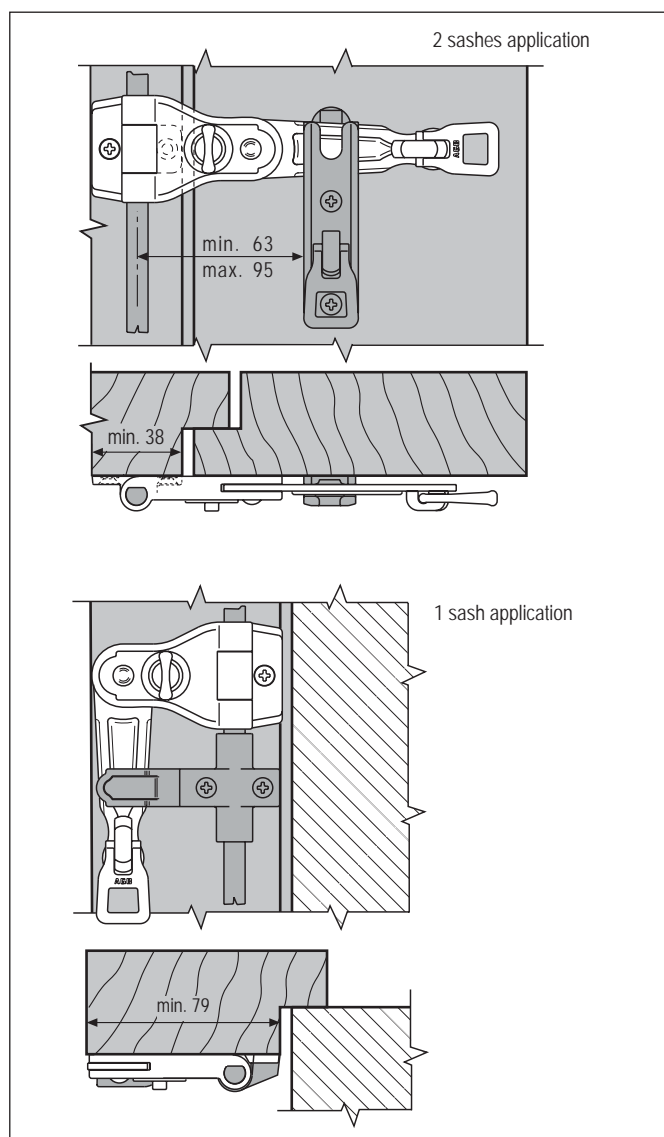
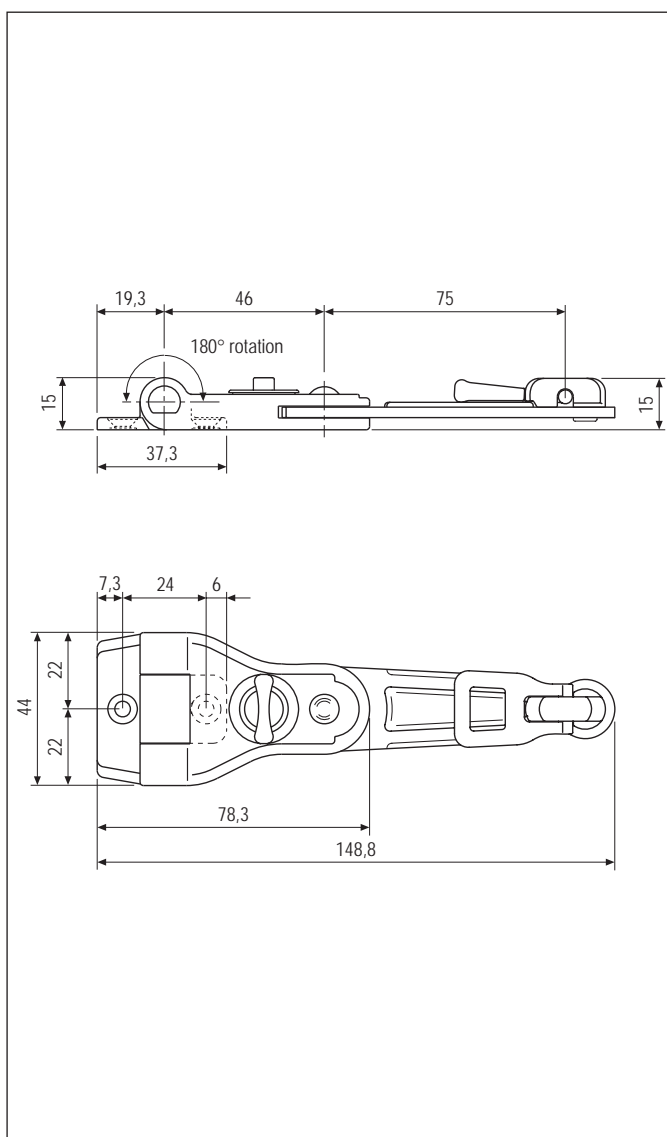
of 15 mm.

For all traditional systems with finished stiles of at least 83 mm width.

- To be used in combination with drive rod and catch for single or double-sash shutters.

### Mounting

Use three 4x30 mm screws with thread suitable for the shutter material.



### Order specifications

Article

H00901.06.XX

**NB.** Refer to the price list in force to check the availability of the finishes.