

## Snap-lock handle 2K series



### Description

Closing handle with 90° rotation and the automatic snap in lock. The shape of the espagnolette allows its use on narrow shutters jambs and on shutters with orientable plates.

It is available in the basic kit as well, with two closing hooks.

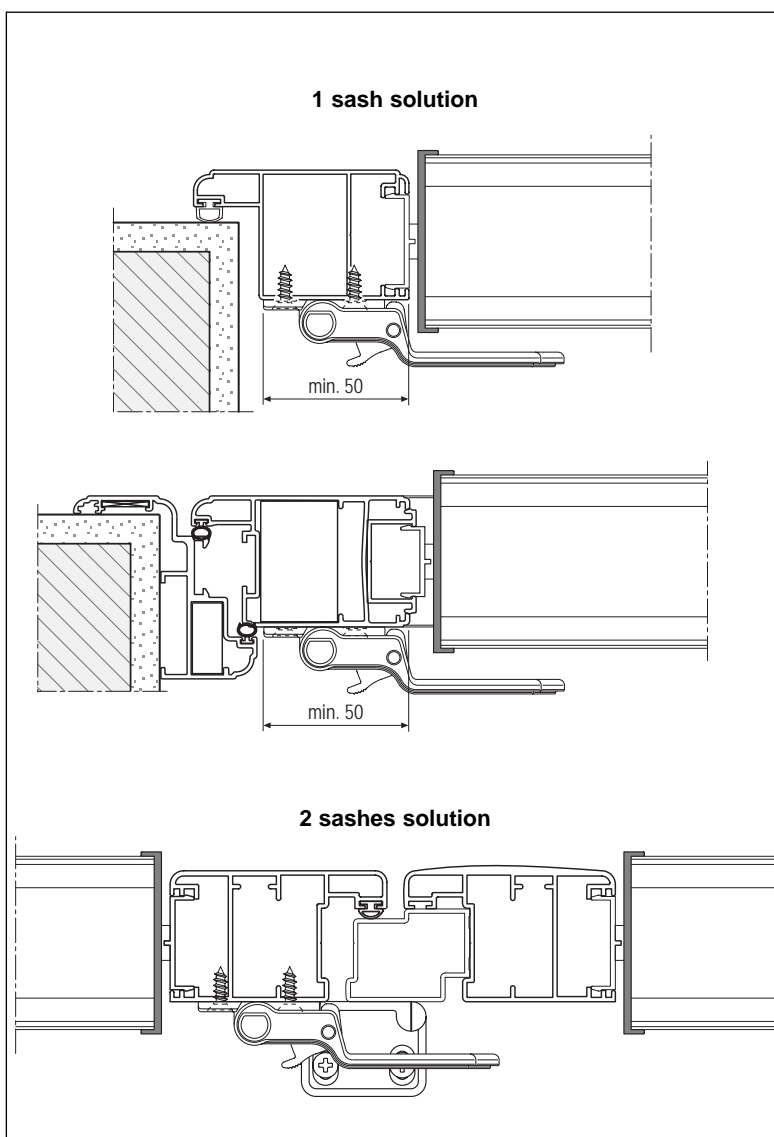
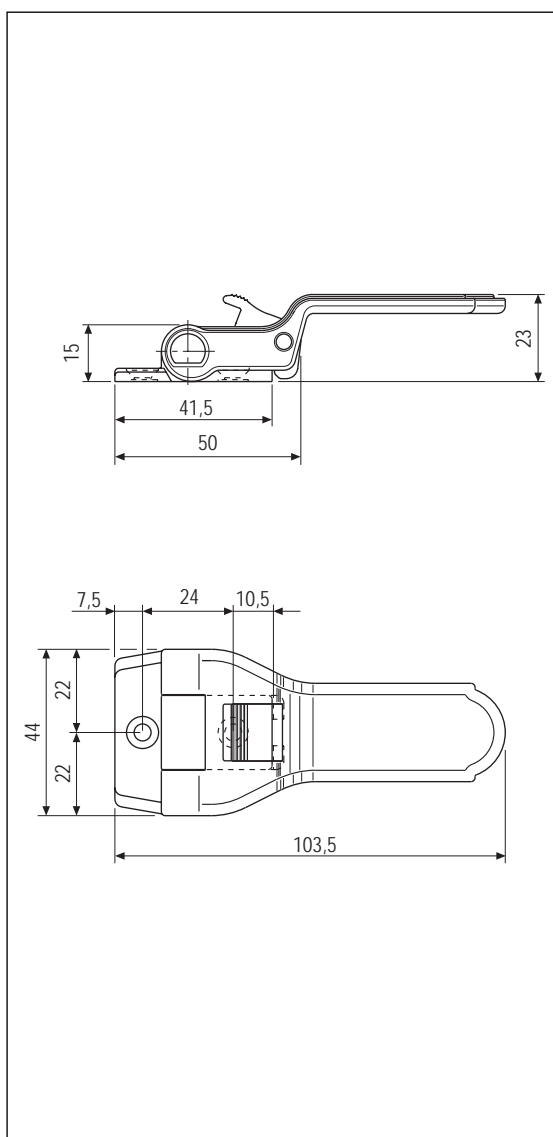
### Application

For single and double sash systems with 50 mm wide jambs.

**NB.** Do not use it with folding sashes.

### Mounting

With 4x30 screws with thread suitable to building material.



### Order specifications

Article

H00003.01.XX

**NB.** Refer to the price list in force to check the availability of the finishes.