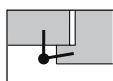


R4 Mod. 18 - adjustable embedded hinge for wooden entrance doors - profiles with extensible gasket, rebate 15/18 mm - rebate without gasket



Description

Embedded hinge for wooden entrance doors, adjustable in 3 axis and frictioned. Suitable for rebated applications, with 15 mm gasket on rebate (15 mm gasket) or 18 mm (rebate 18 mm).

For 4/18/9; 12/18/9; 12/20/9; 12/18/13; 12/20/13 wooden profiles.

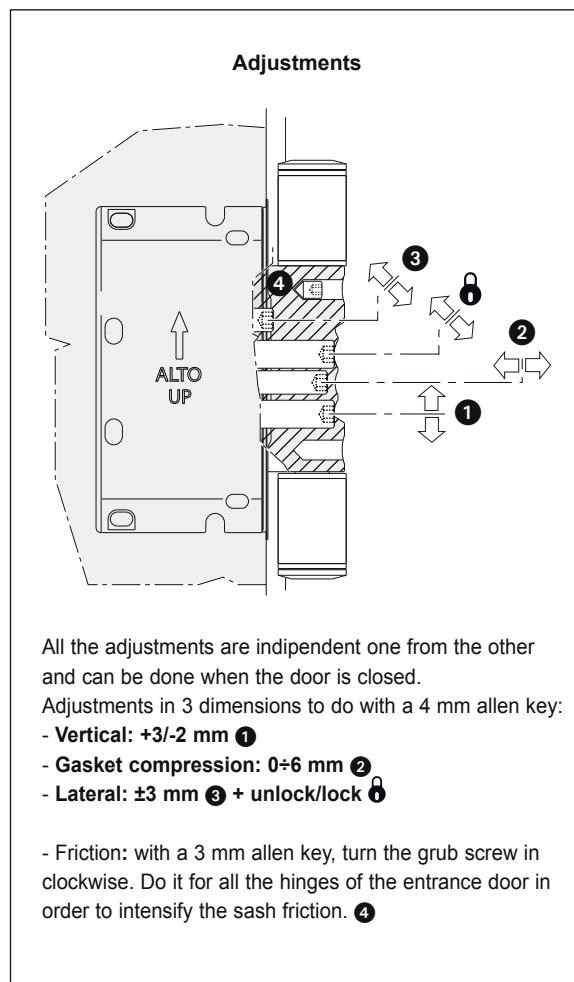
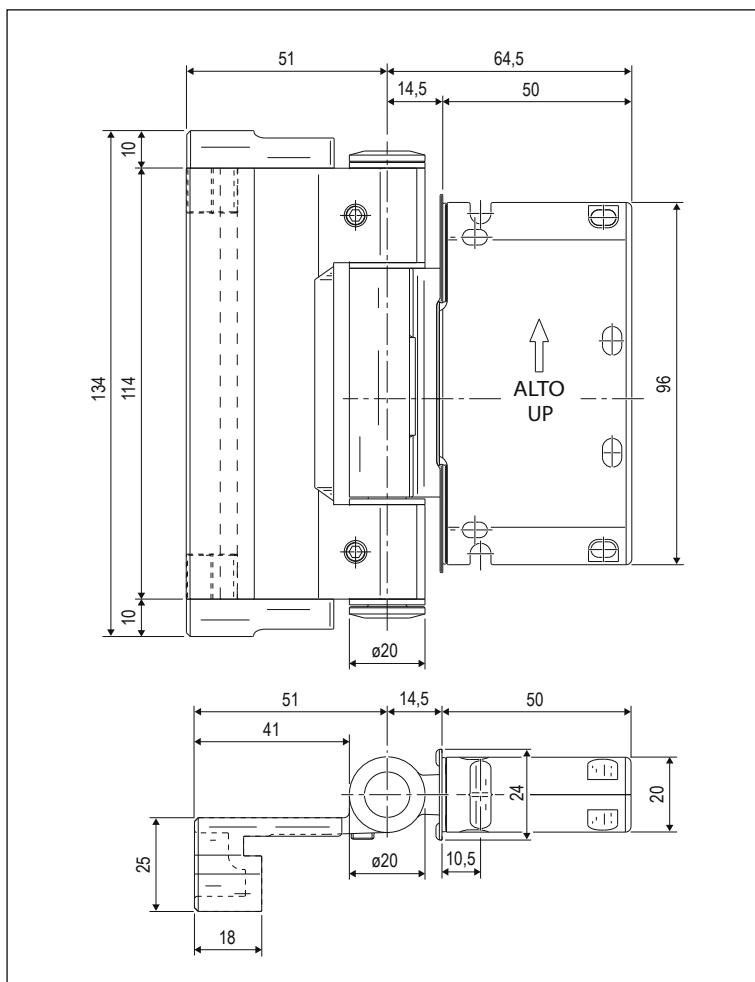
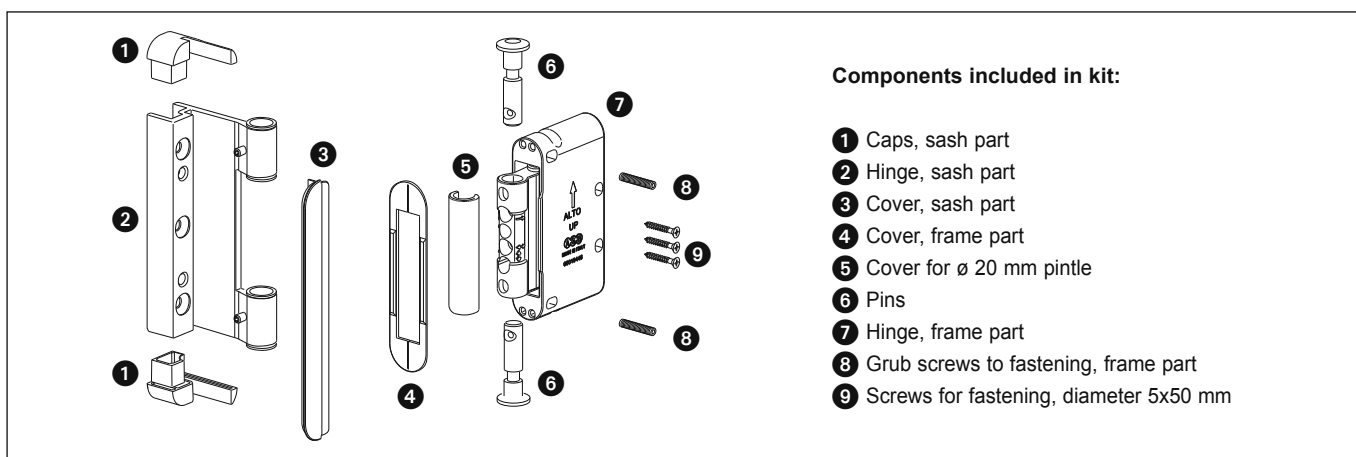
Capacity

160 kg with 3 hinges. Refer to the capacity diagrams in the section "Application fields".

Fastening

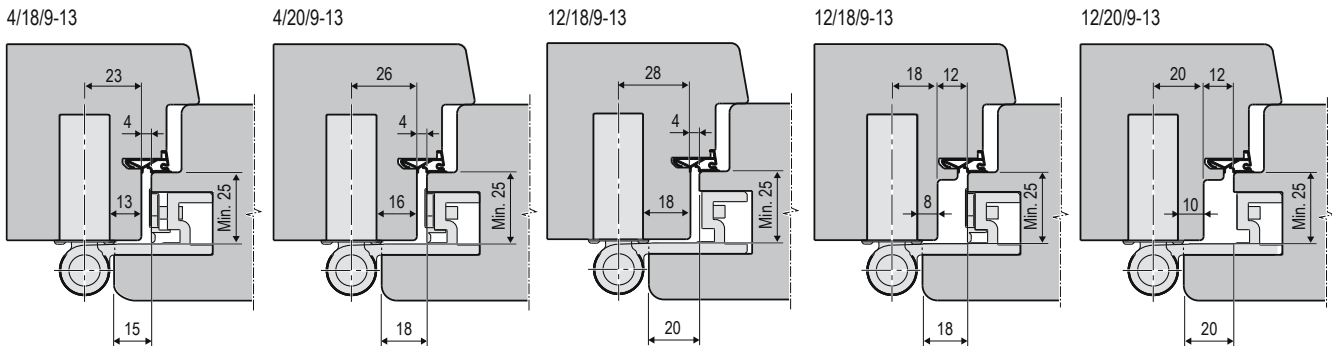
SASH PART: hinges fastening with 3 $\varnothing 5 \times 50$ mm screws included in the kit.

FRAME PART: fix the included grub screws using a 3 mm allen key.

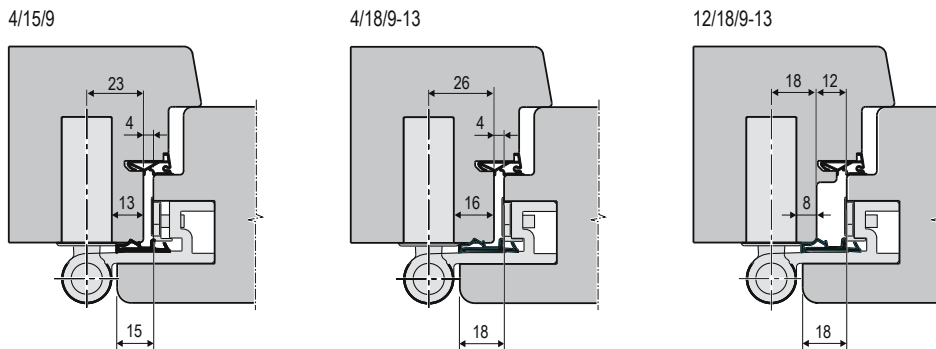


R4 Mod. 18 - adjustable embedded hinge for wooden entrance doors - profiles with extensible gasket, rebate 15/18 mm - rebate without gasket

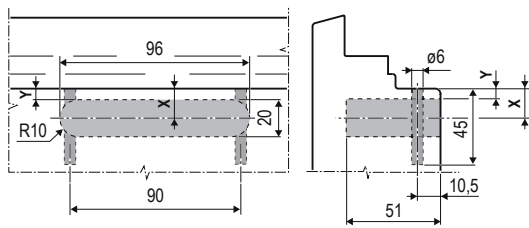
c Example of application for profiles without gasket on rebate



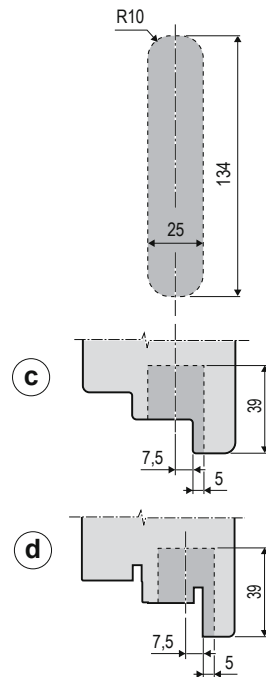
d Example of application for profiles with gasket on rebate, 15/18 mm



FRAME PART MILLING



SASH PART MILLING



- c** Gap 4 - Rebate 15 → X=23 Y=13
- Gap 4 - Rebate 18 → X=26 Y=16
- Gap 4 - Rebate 20 → X=28 Y=18
- Gap 12 - Rebate 18 → X=18 Y=8
- Gap 12 - Rebate 20 → X=20 Y=10

- d** Gap 4 - Rebate 15 → X=23 Y=13
- Gap 4 - Rebate 18 → X=26 Y=16
- Gap 12 - Rebate 18 → X=18 Y=8

Order specifications

Article	
---------	--

E04002.20.XX

Note. Refer to the price list to check the availability of the finishes.