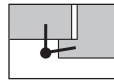
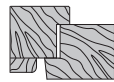


R4 Mod. 10 - adjustable embedded hinge for wooden entrance doors - profiles with gasket, 10/12 mm



Description

Embedded hinge for wooden entrance doors, adjustable in 3 axis and frictioned. Suitable for rebated applications, with 10 mm gasket on rebate (18 mm rebate) or 12 mm (rebate 20 mm).

For 4/18/9; 12/18/9; 12/20/9; 12/18/13; 12/20/13 wooden profiles.

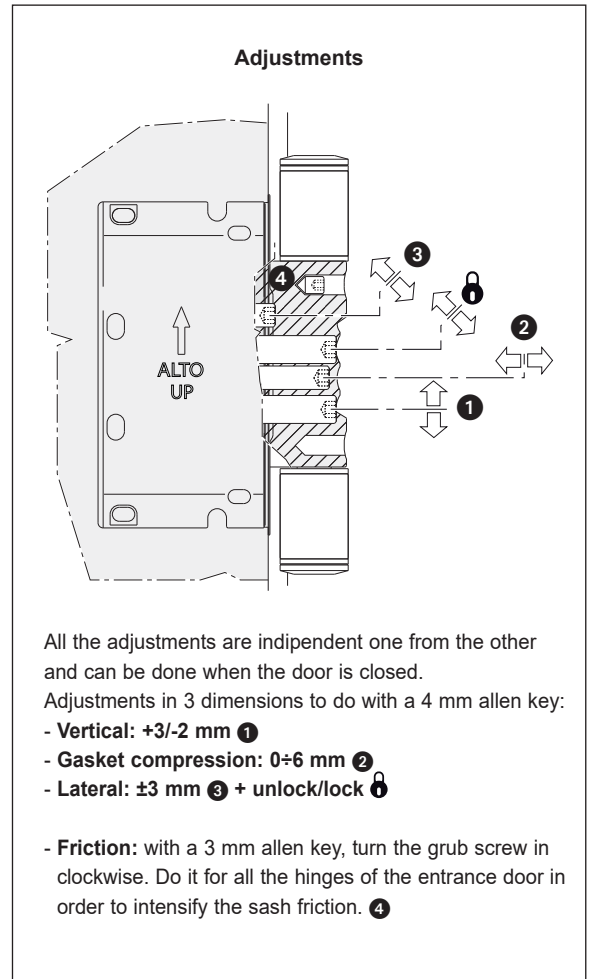
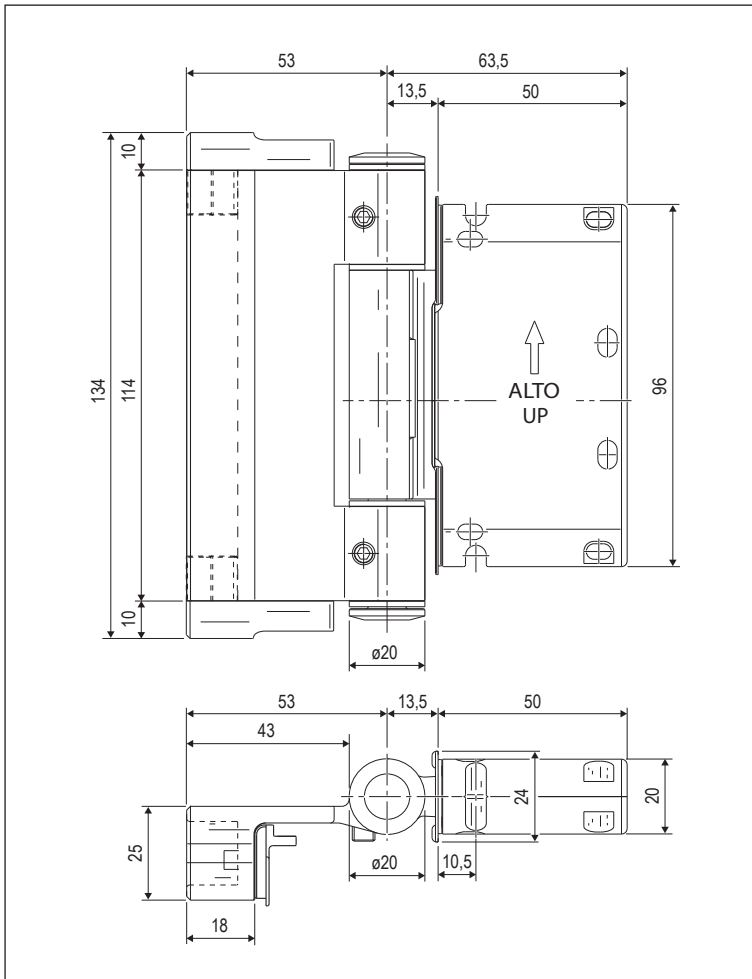
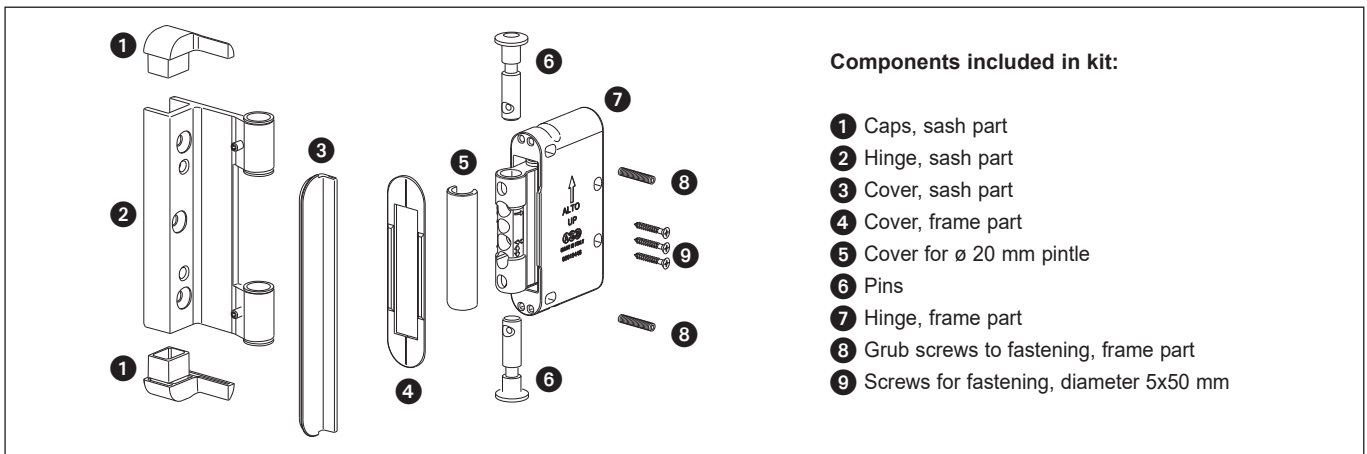
Capacity

160 kg with 3 hinges. Refer to the capacity diagrams in the section "Application fields".

Fastening

SASH PART: hinges fastening with 3 $\varnothing 5 \times 50$ mm screws included in the kit.

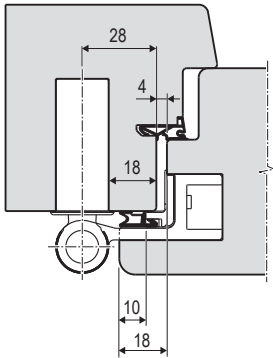
FRAME PART: fix the included grub screws using a 3 mm allen key.



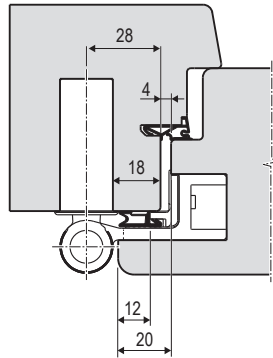
R4 Mod. 10 - adjustable embedded hinge for wooden entrance doors - profiles with gasket, 10/12 mm

a Example of application for profiles with gasket on rebate, 10/12 mm

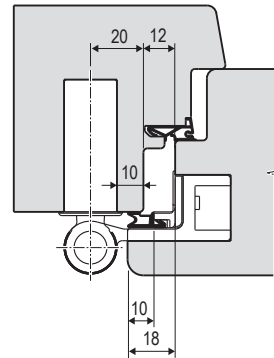
Gap 4 mm - Rebate 18 mm



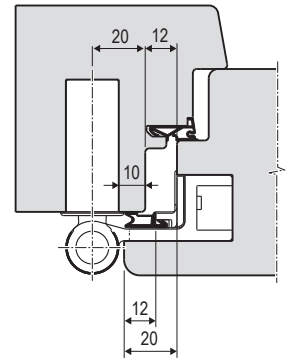
Gap 4 mm - Rebate 20 mm



Gap 12 mm - Rebate 18 mm

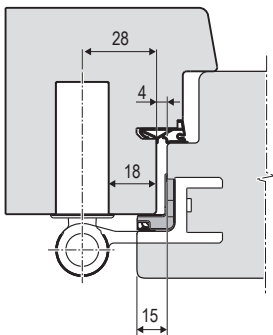


Gap 12 mm - Rebate 20 mm

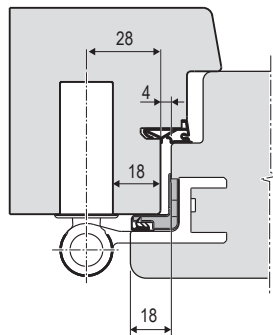


b Example of application for profiles with reduced and acoustic gasket

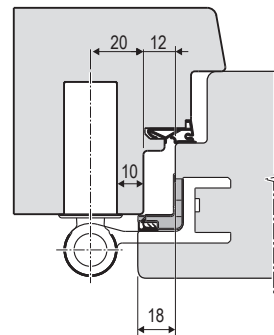
Gap 4 mm - Rebate 15 mm



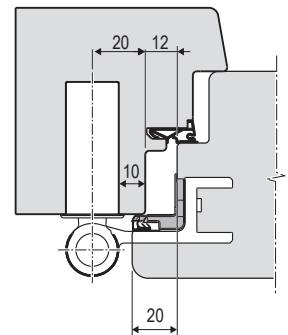
Gap 4 mm - Rebate 18 mm



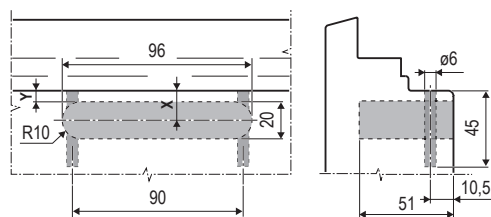
Gap 12 mm - Rebate 18 mm



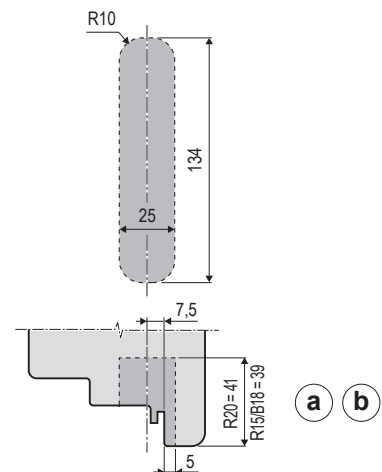
Gap 12 mm - Rebate 20 mm



FRAME PART MILLING



SASH PART MILLING



- a** Gap 4 - Rebate 18 → X=28 Y=18
- Gap 4 - Rebate 20 → X=28 Y=18

- b** Gap 12 - Rebate 18 → X=20 Y=10
- Gap 12 - Rebate 20 → X=20 Y=10

Order specifications

Article	E04001.20.XX
---------	--------------

Note. Refer to the price list to check the availability of the finishes.