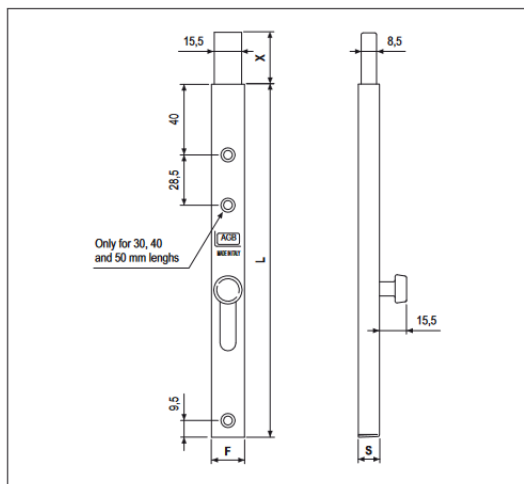


Vertical type - with flat push rod, fastened with screws



Bolt measurements

VERTICAL BOLTS				
ARTICLE	F	L	S	X
D00331.20.XX	18,5	200	12	29,5
D00331.30.XX	18,5	300	12	29,5
D00331.40.XX	18,5	400	12	29,5
D00331.50.XX	18,6	500	12	29,5

Order specifications

Material	Article
STEEL	D00331.20.XX
	D00331.30.XX
	D00331.40.XX
	D00331.50.XX

NB. Refer to the price list in force to check the availability of the finishes.