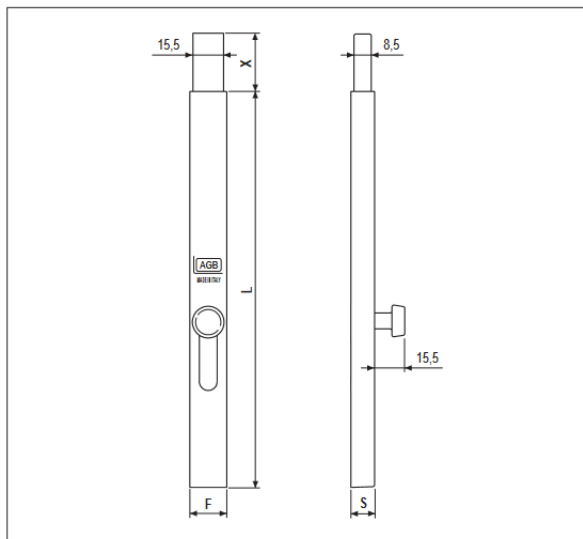


## Vertical type - with flat push rod, to be soldered



### Bolt measurements

VERTICAL BOLTS				
CODE	F	L	S	X
D00330.20.XX	18,5	200	12	29,5
D00330.30.XX	18,5	300	12	29,5
D00330.40.XX	18,5	400	12	29,5
D00330.50.XX	18,5	500	12	29,5

### Order specifications

Material	Article
STEEL	D00330.20.XX
	D00330.30.XX
	D00330.40.XX
	D00330.50.XX

**NB.** Refer to the price list in force to check the availability of the finishes