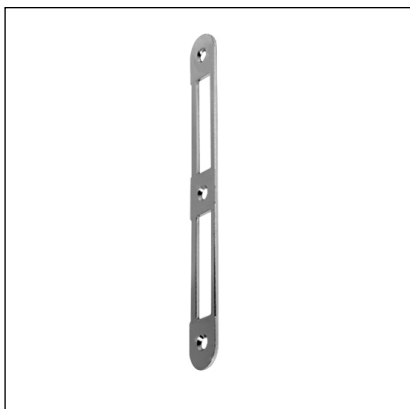


20x170 mm striker - round ends



Description

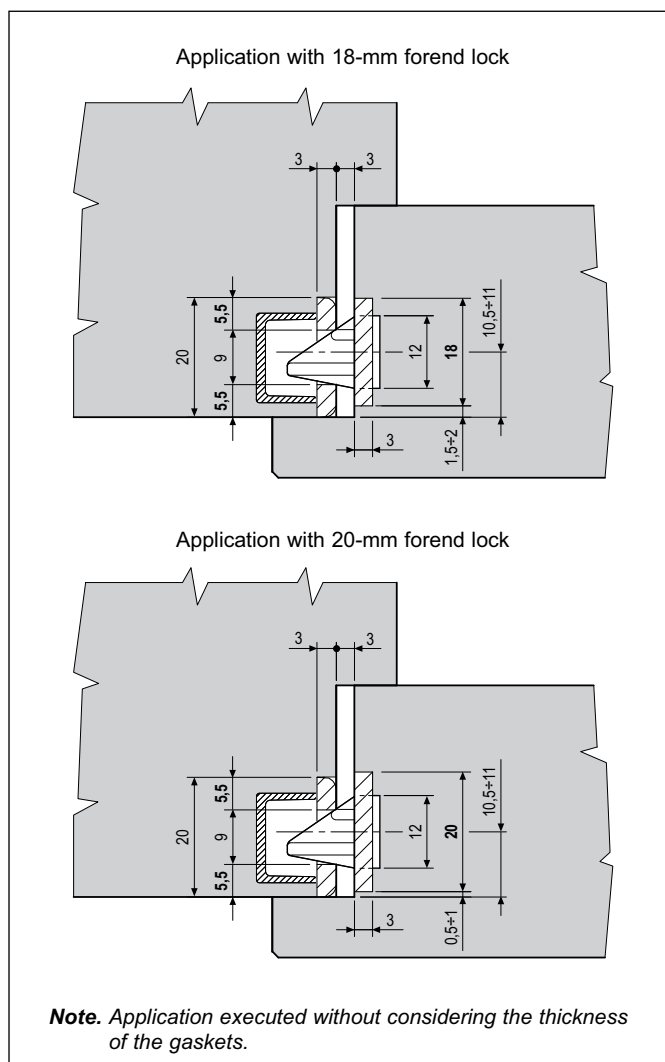
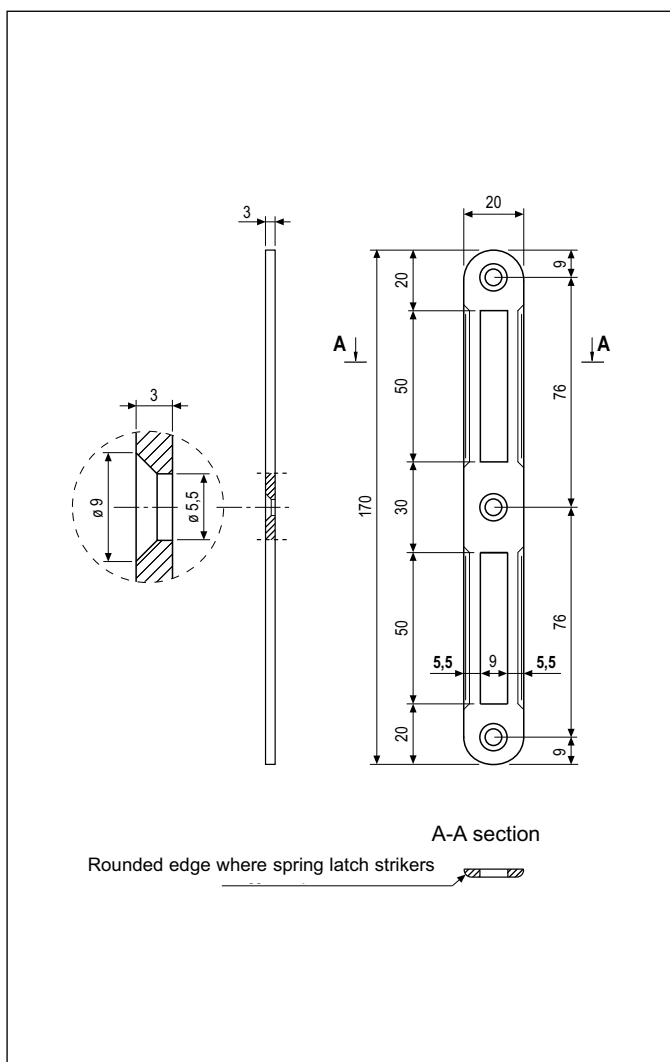
Steel striker with round ends, 20 mm wide - 170 mm long. The edge is bevelled where the spring latch strikers for easier and smoother closing of the door. Suitable for both right and left-handed applications.

Use

Used in combination with all the *Euro 72* lock versions with 18 and 20 mm forend, on interior rebated doors with timber frame.

Fastening

Mill the frame according to the dimensions shown in the diagram. Install the striker flush with the edge of the frame. Fasten with three 4,5x25 mm screws.



Order Specifications

Material	Article
STEEL	B10070.01.XX

Note. Refer to the price list in force to check the availability of the finishes.