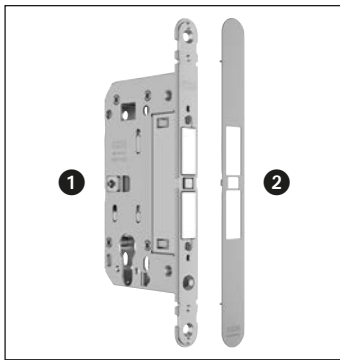


Touch, cylinder - Adjustable magnetic door catcher with bolt



Description

Patented contactless door catcher with bolt, to be coupled with a frame magnetic counterplate; the power of the catching movement is adjustable and it is guaranteed independently from the gap between sash and frame. Touch is provided with a forend to cover the fastening screws. Triggering the cylinder, the central bolt exits thanks to a variable spring mechanism which allow to compensate the door gap.

Use

For applications where it is required/enough a door catcher which is different from the traditional latch-counterplate system, without the need of a traditional handle, feeling free to choose your handle (for example external pull handles or embedded handles). Touch with cylinder can be installed into the milling of the Polaris 2XT and Mediana Evolution ranges (18x196 mm forend) guaranteeing the closing thanks to the cylinder lock.

Adjustment

The strength of the catching movement is variable from 20 N to 40 N, according to the adjustment and the gap between sash and frame: turning the front grubs, the stroke of sliding magnetic components will be higher (up to 5 mm) and the force of attraction between sash and frame, too. For this reason, it is possible to guarantee the desired catching force even with variable gap. It is suggested to adjust Touch in order to avoid contact between the sliding components and the frame part. The inclination of the bolt and the striker tray facilitate the closing of the door.

Fastening

Touch fastening with 2 screws 3,5x20 mm.



Order Spec. - ① Lock

Article	
B06503.50.XX	
B06503.60.XX	



Order Spec. - ② Forend

Material	Article
PLASTIC	B01120.33.XX

Note. Refer to the price list in force to check the availability of the finishes.

