

# Electric striker for Opera SL and Sicurezza SL for flush doors, 48 mm thickness - 22x238 mm forend



**Description**

Pre-assembled steel striker with replacement insert of the electric device.

**Application**

Electric striker for Opera SL, Sicurezza SL and Sicurezza 2.0 for flush doors with lock in the middle and 48 mm sash thickness, pre-assembled with adjustable replacement insert.

Moving the latch cover-tray, it is possible to adjust in pressure +2 mm than the initial factory adjustment.

**Fastening**

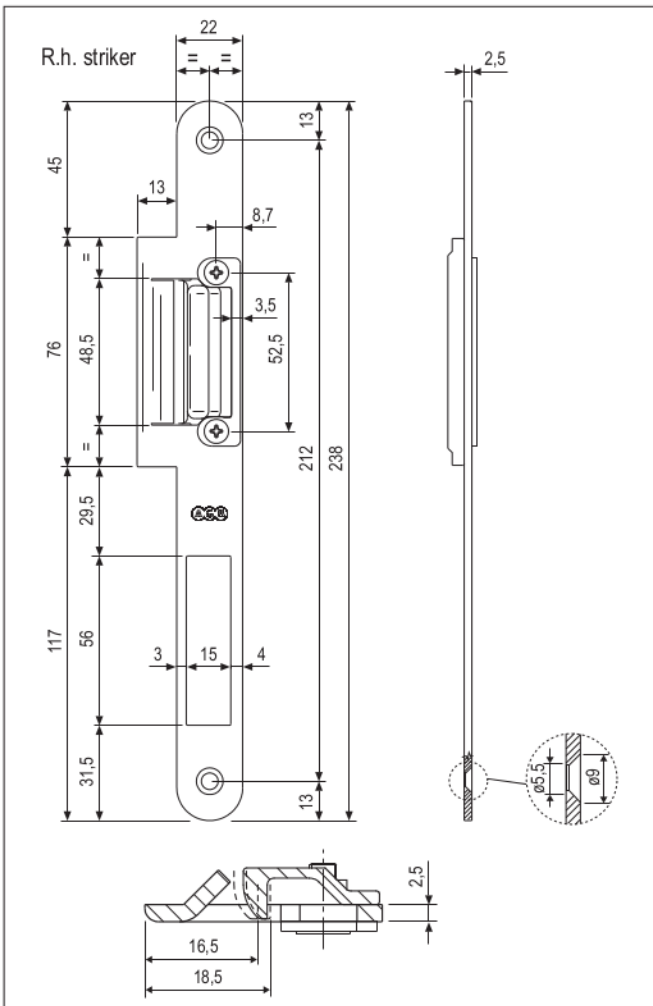
Apply the striker flush to the frame edge 25 mm higher than the lock and fasten with 2 screws  $\varnothing 4$  mm of a suitable length.

**Attention**

It is not suitable for Opera locks with security latch!

For security reasons, do not remove the anti-burglar adapter.

This striker is not vertically aligned with the lock forend: it is positioned 25 mm higher than the lock.



**Electric strikers compatibility**

B02600.20.01 B02600.20.02 B02600.20.07 B02600.21.01 B02600.21.02	B02600.22.01	B02600.01.10 (it needs a dedicated milling which is different from other devices)

**Order Specifications**

Article	Type
B02605.00.XX	r.h.
B02606.00.XX	l.h.

"R.h." and "l.h." refer to pull doors according to DIN 107 regulation. Refer to the price list in force in order to check the availability of the finishes.

