

# Symmetrical radial electric device, 16x66,5 mm wide



**Description**

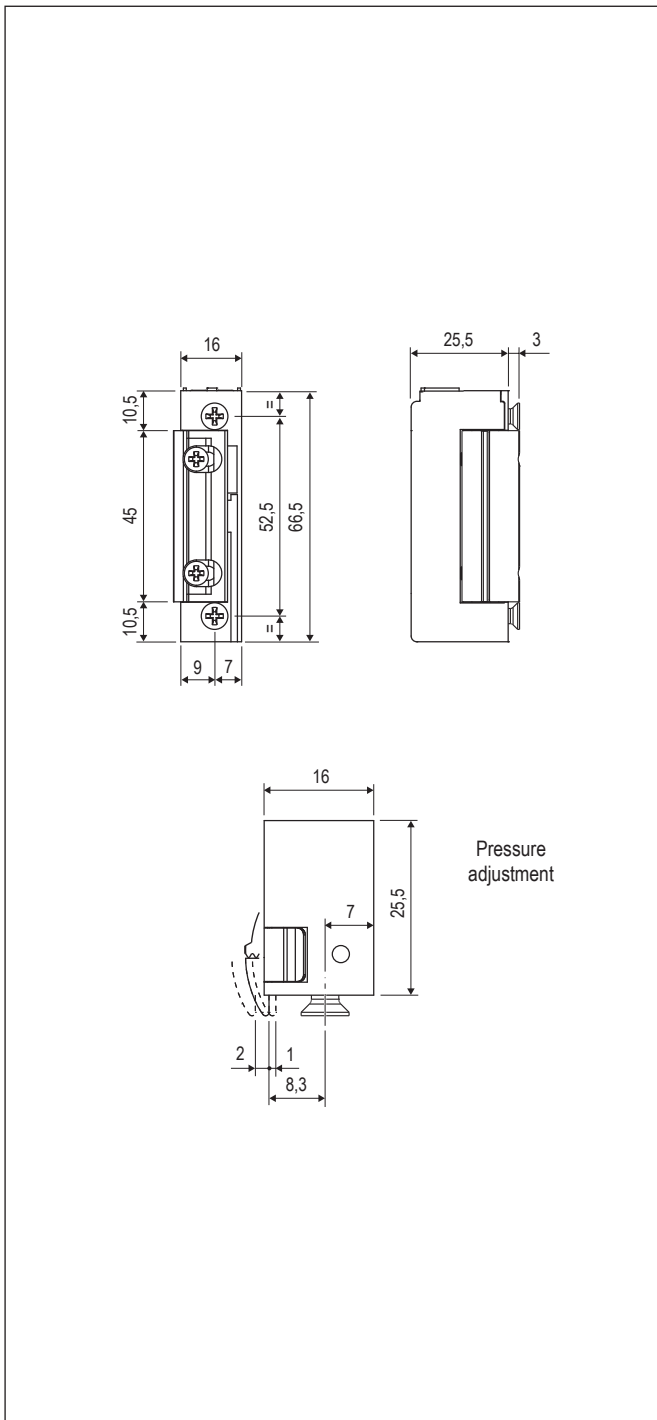
Symmetrical electric device, 16 mm wide. It is available with or without internal repeater both with or without manual release lever.

**Fastening**

The electric device is supplied with screws for the striker plate fastening.

**Application**

Make reference to the table for the compatibility of electric devices.



**Order Specifications**

| Article       | With repeater | With manual release lever |
|---------------|---------------|---------------------------|
| B02600.20.01  | NO            | NO                        |
| B02600.20.02  | NO            | YES                       |
| B02600.20.07* | NO            | NO                        |
| B02600.21.01  | YES           | NO                        |
| B02600.21.02  | YES           | YES                       |

\* With diode.

**Electronic device data table (collected at 20° C)**

|  | WITH repeater                  | WITHOUT repeater               |
|--|--------------------------------|--------------------------------|
| Tension  | 10V - 24V                      | 10V - 24V                      |
| Extended power   | 11V-13V $\overline{\text{DC}}$ | 11V-13V $\overline{\text{DC}}$ |
| Nominal resistance                                       | 43 $\Omega$                    | 43 $\Omega$                    |
| $\overline{\text{DC}}$ absorption (stabilized)           | (12V)                          | 280 mA                         |
|  | (24V)                          | 560 mA                         |
| $\sim$ AC absorption                                     | (12V)                          | 250 mA                         |
|  | (24V)                          | 500 mA                         |
| Max latch preloading $\overline{\text{DC}}$ (stabilized) | (12V)                          | 45N                            |
|  | (24V)                          | 200N                           |
| Max latch preloading $\sim$ AC                           | (12V)                          | 45N                            |
|  | (24V)                          | 350N                           |
| Antiburglar resistance                                   | 3750N                          | 3750N                          |