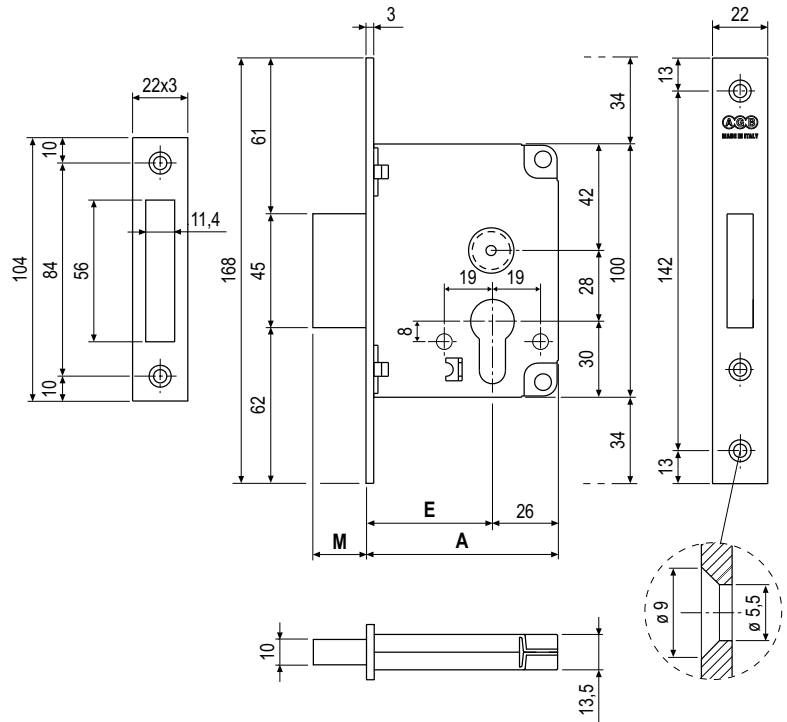


# Dead bolt only, square ends with cylinder lock, 22 mm forend



UNI 9171



### Description

Embedded lock with bolt only, to be used in combination with a DIN V 1854 profile cylinder. 22 mm forend with square ends. 35 to 70 mm backsets. Furnished with the striker, which has the same finish as the forend. Made entirely of steel or with is brass forend, bolt and striker. Case with holes for handle installation using through screws.

### Application

Install on interior and main timber doors. For applications not requiring a spring latch, or as an extra lock where greater security and protection against forced entry are required.

### Mounting

Prepare cutout and mill the panel according to the dimensions shown in the diagram. Chisel the corners. Secure lock and striker with 4 screws 4x25 mm.

**NB.** Cardboard box containing one lock and one screw for fastening the cylinder and one striker. The cylinder must be ordered separately.

| E  | A  | M  | No. of throws |
|----|----|----|---------------|
| 35 | 61 | 21 | 2             |
| 40 | 66 | 21 | 2             |
| 45 | 71 | 21 | 2             |
| 50 | 76 | 21 | 2             |
| 60 | 86 | 21 | 2             |
| 70 | 96 | 21 | 2             |

### Order Specifications

| Material | SALES CODE |                   |        |
|----------|------------|-------------------|--------|
|          | Ref.       | Backset           | Finish |
| STEEL    | B00856     | 35-40-45-50-60-70 | XX     |

**NB.** Refer to the price list in force to check the availability of the finishes.